

单直驱高速平缝机

Direct drive high-speed lockstitch machine

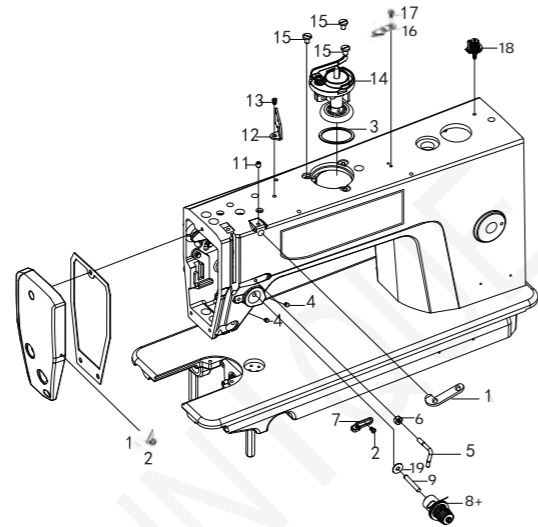
零件手册

PARTS BOOK

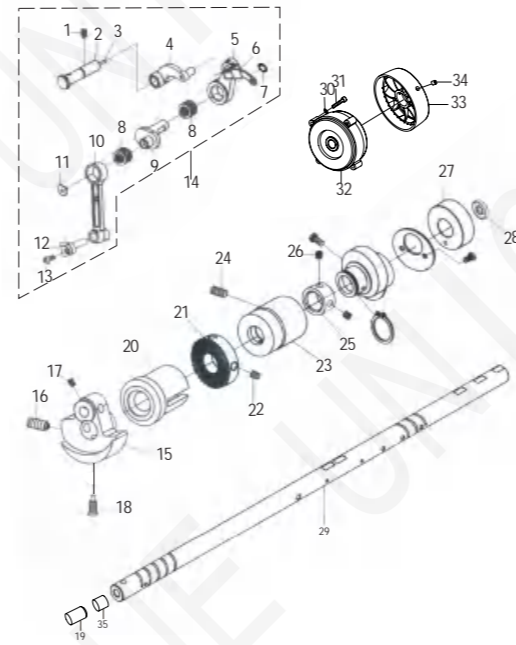
选购零件时, 请注明序号, 件号。

Please confirm the relative applications Ref. No, part No. when buying the parts.

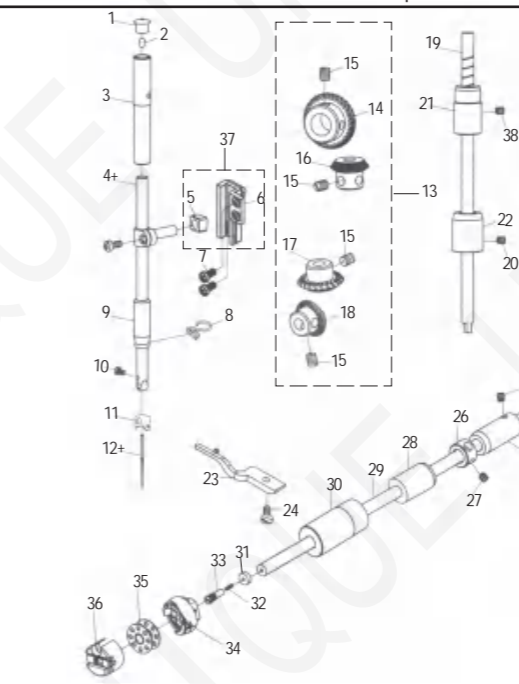
2. 夹线、绕线部件 Thread tension & bobbin winder components



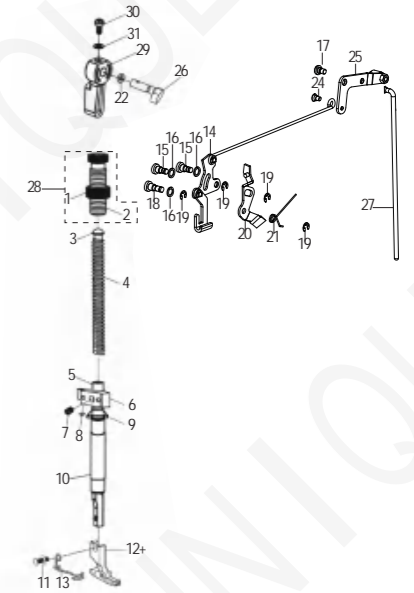
3. 上轴挑线杆部件 Main shaft & thread take-up components



4. 针杆、旋梭部件 Needle bar & hook components



5. 压料、松线部件 Presser bar & tension release components



1. 机壳部件 Arm bed components

1. 机壳部件 Arm bed components

序号	物料号	数量	物料名称	Description
1	1150912011	1	二眼过线钩	Two eye wire hook
2	101020201	2	螺钉SM4. 37-40×6	Screw SM4.37-40×6
3	125023001	1	绕线器垫圈	Washer
4	101020401	2	螺钉SM5. 95-28×7	Screw SM5.95-28×7
5	101020502	1	大线钩	Slow adjusting hook
6	115111601	1	螺母SM4. 37-40	Nut SM4.37-40
7	115090701	1	右线钩	Arm thread guide right
8+	101020801	1	夹线器组件M	Therad tension asm M
8+	101020802	1	夹线器组件H	Therad tension asm H
9	101022001	1	松线辅钉	Tension release supportting pin
10	101022101	1	调线夹线器组件	Thread tension assy
11	101022201	1	螺钉SM4. 76-28×6	Screw SM4.76-28×6
12	115090301	1	穿线板	Thread guide plate
13	101010901	1	螺钉SM4. 76-28×6	Screw SM4.76-28×6
14	101022501	1	绕线器组件	Bobbin winder unit
15	101022601	3	螺钉M5×10	Screw M5×10
16	101022701	1	割线刀	Cutter
17	101022801	2	螺钉SM3. 57-40×6	Screw SM3.57-40×6
18	101022901	1	绕线器夹线器组件	Bobbin thread tension asm
19	101023001	1	松线辅钉密封圈	Rubbering

3. 上轴挑线杆部件 Main shaft & thread take-up components

序号	物料号	数量	物料名称	Description
1	012061032	1	螺钉M6×10	Screw M6×10
2	101030201	1	挑线连杆销	Thread take-up pin
3	101092201	1	油线	Oil wick
4	101030401	1	挑线连杆	Thread take-up lever
5	101030501	1	挑线杆	Thread take-up bar
6	101030601	1	挑线杆防油套	Thread take-up bar oil set
7	115021402	1	垫圈Ø15. 5	Washer
8	101030801	2	挑线杆滚针轴承	Needle bearing
9	101030901	1	挑线曲柄	Needle bar crank
10	101031001	1	针杆连杆	Needle bar connecting rod
11	101031101	1	挑线曲柄左旋螺钉	Screw (left twist)
12	101031201	1	针杆连接柱	Needle bar connection
13	101031301	1	螺钉SM3. 57-40×7	Screw SM3.57-40×7
14	101031404	1	挑线杆组件	Thread take-up lever asm
15	125031501	1	针杆曲柄	Counter weight
16	101031601	1	螺钉SM7. 14-28×16	Screw SM7.14-28×16
17	101031701	2	螺钉SM6. 35-40×6	Screw SM6.35-40×6
18	101031801	1	螺钉SM7. 14-28×15.5	Screw SM7.14-28×15.5
19	101031901	1	孔塞6. 8	Rubber Plug 6.8
20	101032002	1	上轴前轴套	Main shaft front bushing
21	101032101	1	绕线器驱动轮	Bobbin winder driving wheel
22	014600832	2	螺钉M6X8	Screw M6X8
23	101032301	1	上轴中轴套	Bushing intermediate
24	101032401	1	螺钉SM5. 95-28×10	Screw SM5.95-28×10
25	101032501	1	上轴挡圈	Thrust collar
26	115024801	2	螺钉SM6. 35-40×8	Screw SM6.35-40×8
27	101032702	1	上轴后轴套	Main shaft bushing rear
28	115024001	1	油封15×27×7	Oil seal
29	101033802	1	上轴	Main shaft
30	028060246	4	弹簧垫圈	Spring washer
31	018502032	4	螺钉M5×20	Screw M5×20
32	101032901	1	马达组件	Motor rotor assy
33	125033303	1	手轮	Hand wheel assy
34	012501032	2	螺钉M5×10	Screw M5×10
35	101034101	1	上轴油毡	Felt

4. 针杆、旋梭部件 Needle bar & hook components

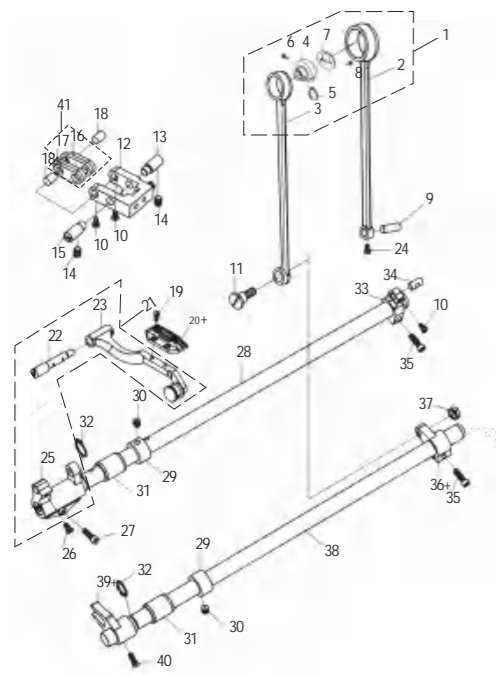
序号	物料号	数量	物料名称	Description
1	115010801	1	针杆上轴套孔塞	Cap
2	115025601	1	油毡7. 8×6	Felt
3	101040301	1	针杆上轴套	Needle bar bushing upper
4+	101040401	1	针杆M	Needle bar,M
4+	101040402	1	针杆H	Needle bar,H
5	101040501	1	针杆连接柱滑块	Slide block
6	101040601	1	针杆导架槽座	Needle bar guide groove
7	115024601	2	螺钉SM3. 57-40×6	Screw SM3.57-40×6
8	101040801	1	针杆下衬套线钩	Needle bar thread guide
9+	101040901	1	针杆下衬套M	Needle bar bushing lowerM
9+	101040902	1	针杆下衬套H	Needle bar bushing lowerH
10	101041001	1	支针螺钉SM3. 17-44×4.5	Screw SM3.17-44×4.5
11	101041101	1	针杆过线环	Needle bar thread guide ring
12+	115024101	1	机针 (DBX1)#14	Needle (DBX1)#14
12+	115024102	1	机针 (DPX5)#22	Needle (DPX5)#22
13	101041302	1	伞齿轮组件	Gear and pinion asm
14	101041401	1	上轴伞齿轮	Gear
15	101041501	8	螺钉SM6. 35-40×8	Screw SM6.35-40×8
16	101041601	1	竖轴上伞齿轮	Pinion
17	101041701	1	竖轴下伞齿轮	Gear
18	101041801	1	下轴伞齿轮	Pinion
19	101041901	1	竖轴	Upright shaft
20	101032401	1	螺钉SM5. 95-28×10	Screw SM5.95-28×10
21	101042102	1	竖轴上轴套	Upright shaft bushing,upper
22	101042201	1	竖轴下轴套	Upright shaft bushing,lower
23	101042301	1	旋梭定位钩	Bobbing case holder
24	115072601	1	螺钉SM4. 37-40×12	Screw SM4.37-40×12
25	101042502	1	下轴后轴套	Bushing rear
26	101042601	1	下轴挡圈	Thrust collar
27	101042701	2	螺钉SM4. 37-40×5	Screw SM4.37-40×5
28	115073201	1	下轴中轴套	Bushing middle
29	101042901	1	下轴	Lower shaft
30	101043001	1	下轴前轴套	Lower shaft front metal
31	115073401	1	油封	Oil seal
32	115071901	1	下轴限油芯	Oil wick
33	115071401	1	油盖螺钉	Oil seal screw
34	101043402	1	旋梭组件	Hook asm
35	115072401	1	梭芯	Bobbin
36	115072701	1	梭芯套组件	Bobbin case asm
37	101043701	1	针杆滑块槽组件	Needle bar guide groove
38	014760432	1	螺钉SM5. 95-28×4	Screw SM5.95-28×4

5. 压料、松线部件 Presser bar & tension release components

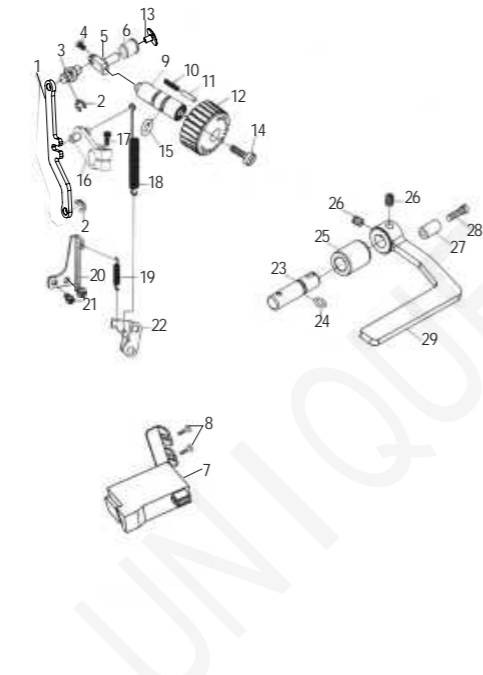
序号	物料号	数量	物料名称	Description
1	101050101	1	调压螺母	Presser adjusting screw nut
2	125050201	1	调压螺钉	Presser spring regulator
3	101050301	1	调压导杆	Presser guide bar
4	125050401	1	调压簧	Presser adjusting spring
5	101050501	1	压杆	Presser bar
6	101050601	1	压杆导架	Presser bar guide bracket
7	115024801	1	螺钉SM6. 35-40×8	Screw SM6.35-40×8
8	115034201	1	孔塞4. 2X3. 3	Rubber plug
9	101050901	1	防油圈	Oil ring
10	101051001	1	压杆衬套	Presser bar bushing lower
11	115031001	1	螺钉SM3. 57-40×10. 5	Screw SM3.57-40×10.5
12+	115030701	1	压脚组件M	Presser foot asm M
12+	115030702	1	压脚组件H	Presser foot asm H
13	101051301	1	护指器	Finger guard
14	102050101	1	抬压脚前杠杆组件	Hand lifter link asm
15	101052001	2	前杠杆螺钉	Lever link pin
16	101052101	3	防油橡胶垫	Washer
17	101052301	1	后杠杆轴位螺钉	Hinge screw
18	101052601	1	松线顶板螺钉	Lever link pin
19	048050342	4	挡圈E5	Snap ring E5
20	102050201	1	松线钢绳组件	Wire cable asm
21	101052901	1	松线板复位簧	Spring
22	081004070	1	O型圈7. 2×1. 8	O-ring
23	101010901	1	螺钉SM4. 76-28×6	Screw SM4.76-28×6
24	101052201	1	抬压脚拉杠螺钉	Screw
25	125053401	1	抬压脚后杠杆组件	Knee lifter connecting rod
26	102050601	1	抬压脚凸轮轴	Presser lifter cam shaft
27	101052501	1	抬压脚顶杆	Connecting rod vertical
28	125053301	1	调压螺钉组件	Pressure adjusting screw asm
29	101054401	1	抬压脚扳手	Hand lifter
30	101054501	1	螺钉SM3. 57-40×9. 5	Screw SM3.57-40×9.5
31	101054601	1	平垫圈3. 7	Washer 3.7

序号	物料号	数量	物料名称	Description
1	1002504	1	机壳组件	Machine cover assy
2	168010301	1	面板垫	Face plate gasket
3	168010201	1	面板	Face plate arm
4	115010701	2	橡皮塞15. 5	Rubber plug
5	101056001	3	螺钉SM4. 76-28×12	Screw SM4.76-28×12
6	125010601	1	后窗板	Side plate
7	125010701	1	后窗板垫	Gasket
8	101010801	1	挑线杆护套	Thread take-up lever cover
9	101010901	4	螺钉SM4. 76-28×6	Screw SM4.76-28×6
10	101011001	2	孔塞12. 5	Rubber plug
11	115011401	3	孔塞8. 5	Rubber plug
12	101011201	1	孔塞21	Oil sight winder
13	101011301	1	孔塞20	Rubber plug
14	101011401	1	孔塞20. 9	Rubber plug
15	101011801	1	推板组件	Slide plate components
16	101011901	1	推板	Slide plate
17	101012001	1	推板簧	Bed slide spring
18	101012101	2	推板黄螺钉	Screw
19+	115023401	1	针板M	Needle plate M
19+	115023402	1	针板H	Needle plate H
20	115023501	2	螺钉SM4. 37-40×6	Screw SM4.37-40×6
21	101012401	4	底板支柱	Bed screw stud
22	028060246	4	弹簧垫圈T6	Spring washer T6
23	101012601	1	卷边器座	Edeg winding device
24	101013201	4	型号牌铆钉	Rivet
25	6063431	1	机身编码	Coding card
26	6063174	1	型号牌	Model plate
27	115012501	2	螺钉SM4. 37-40×5. 5	Screw SM4.37-40×5.5
28	102110302	2	电线压板	Wire fixing plate
29	101013301	1	孔塞8. 8	Plug8.8
30	062710812	11	螺钉SM4. 76-28×9	Screw SM4.76-28×9
31	115114801	1	电线压板	Wire fixing plate
32	062500616	1	螺钉M5×6	Screw M5×6

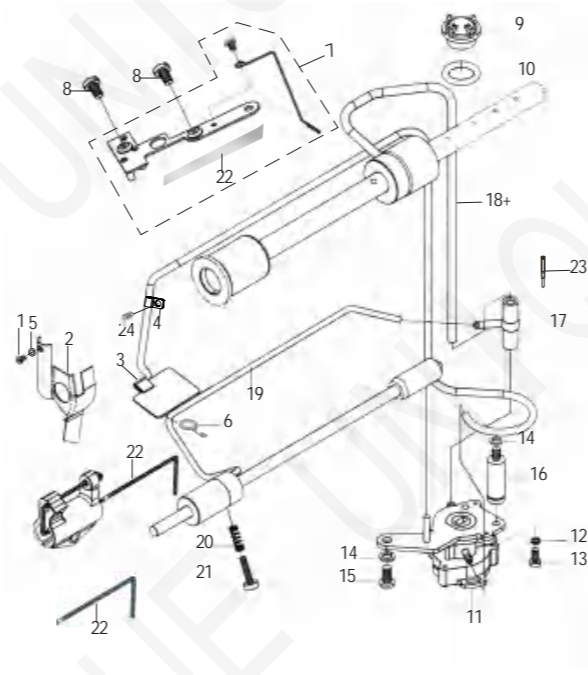
6. 送料部件 Feed mechanism components



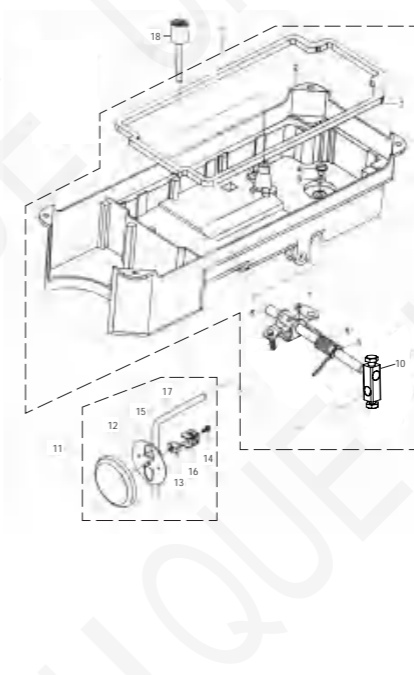
7. 送料调节部件 Feed adjusting mechanism components



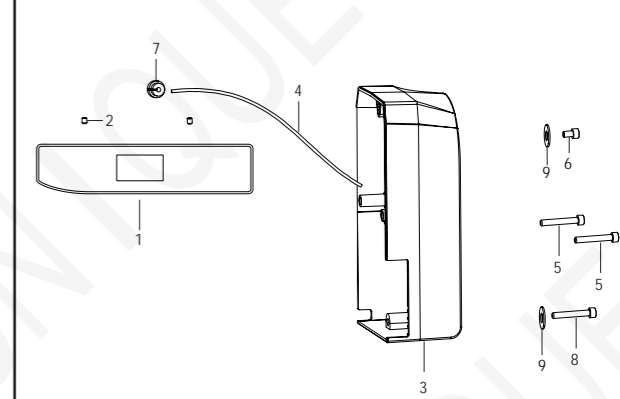
8. 供油润滑部件 Oil lubrication components



9. 油盘膝提部件 Oil reservoir & knee lifter components



10. 控制部件 Control components



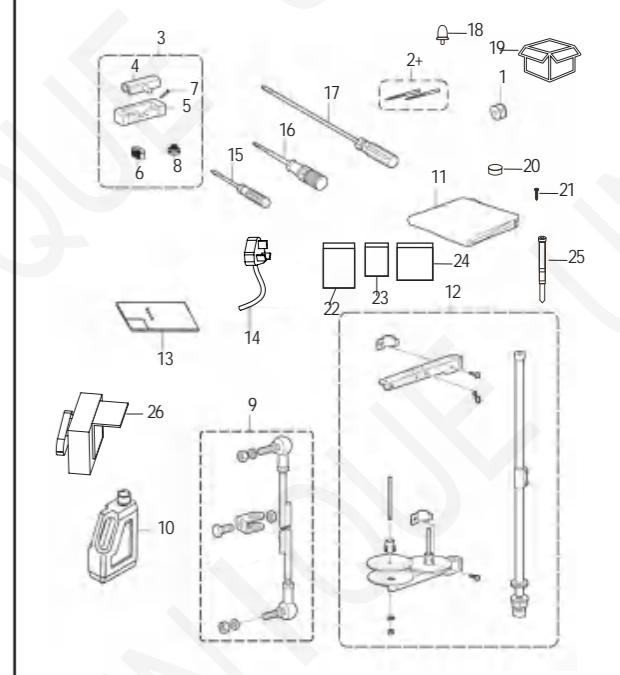
序号	物料号	数量	物料名称	Decription	序号	物料号	数量	物料名称	Decription	序号	物料号	数量	物料名称	Decription	序号	物料号	数量	物料名称	Decription
----	-----	----	------	------------	----	-----	----	------	------------	----	-----	----	------	------------	----	-----	----	------	------------

1	101060103	1	连杆组件	Connecting rod asm
2	101060201	1	送料连杆	Rocker shaft connecting rod
3	101060301	1	拾牙连杆	Feed dog driving connecting rod
4	101060401	1	送料偏心凸轮	Feeding eccentric wheel
5	048200142	1	挡圈C20	Retaining ring
6	101060601	2	螺钉SM6.35-40×13	Screw SM6.35-40×13
7	101060701	1	送料偏心轮盖板	Feeding eccentric wheel cover
8	101042001	2	螺钉SM3.57-40×6	Screw SM3.57-40×6
9	101060901	1	送料连杆销	Feeding eccentric rod pin
10	101022801	3	螺钉SM3.57-40×6	Screw SM3.57-40×6
11	101061101	1	拾牙连杆轴位螺钉	Hinge screw
12	101061203	1	送料摆动板座组件	Feed adjust link assy
13	101061301	1	送料摆动板座右销	Adjusting link fulcrum shaft,R
14	101032401	2	螺钉SM5.95-28×10	Screw SM5.95-28×10
15	101061501	1	送料摆动板左销	Adjusting link fulcrum shaft,L
16	101061602	2	送料短摆动板H	Connecting link short pin,H
17	101061701	2	送料长摆动板	Connecting link long pin
18	101061801	2	短摆动板连接销	Walking foot short pin
19	115047001	2	螺钉SM3.18-44×6	Screw SM3.18-44×6
20+	115046901	1	送料牙M	Feed dog M
20+	115046902	1	送料牙H	Feed dog H
21	101062101	1	牙架组件	Feed bar assy
22	101062201	1	牙架销	Feed bar shaft
23	101062301	1	牙架	Feed bar
24	101062401	1	螺钉SM3.57-40×6	Screw SM3.57-40×6
25	101062501	1	牙架座	Feed holder
26	101062601	1	螺钉SM4.37-40×7	Screw SM4.37-40×7
27	101062701	1	螺钉SM4.76-28×12	Screw SM4.76-28×12
28	101062801	1	送料轴	Feed rocker shaft
29	101062901	2	送料轴挡圈	Thrust collar
30	101063001	4	螺钉SM6.35-40×4	Screw SM6.35-40×4
31	101063101	2	送料轴前轴套	Feed rocker shaft crank
32	048140142	2	挡圈C14	Retaining ring
33+	101063301	1	送料曲柄M	Feed rocker shaft crank,M
33+	101063302	1	送料曲柄H	Feed rocker shaft crank,H
34	101063401	1	送料曲柄销	Walking foot middle pin
35	101063501	2	螺钉SM4.76-28×15.5	Screw SM4.76-28×15.5
36+	101063601	1	拾牙后曲柄M	Rear crank asm,M
36+	101063602	1	拾牙后曲柄H	Rear crank asm,H
37	101063701	1	螺母SM7.14-28	Nut SM7.14-28
38	101063801	1	拾牙轴	Feed driving shaft
39+	101063901	1	拾牙叉形曲柄M	Driving shaft crank,M
39+	101063902	1	拾牙叉形曲柄H	Driving shaft crank,H
40	101064001	1	螺钉SM4.37-40×12	Screw SM4.37-40×12
41	101064103	1	送料摆动板套件H	Connecting link asm,H

1	102070304	1	倒送料连杆	Feed rod
2	048050342	3	挡圈E5	Snap ring E5
3	101070303	1	倒送料连杆销	Feed regulator pin
4	101062401	2	螺钉SM3.57-40×6	Screw SM3.57-40×6
5	101070503	1	送料调节器	Feed regulator
6	101070602	1	送料调节器轴套	Feed regulator brushing
7	125074901	1	送缝开关组件	Reverse sewing switch
8	101010901	2	螺钉SM4.76-28×6	Screw SM4.76-28×6
9	101070901	1	送料调节螺钉	Feed regulator screw
10	101071001	1	送料距锁合簧	Spring
11	102070601	1	止动销	Pin
12+	125071201	1	送料距旋钮M	Feed dialM
12+	125071202	1	送料距旋钮H	Feed dialH
13	125103901	1	螺钉	Screw
14	101071501	1	螺钉SM4.76-28×18	Screw SM4.76-28×18
15	115040701	2	O形圈9.2×2.7	Rubber ring
16	102070701	1	倒送料曲柄组件	Feed reverse arm asm
17	101071801	1	螺钉SM4.76-28×18	Screw SM4.76-28×18
18	101071901	1	倒送料拉簧	Feed reverse spring
19	101072001	1	摆动板复位簧	Adjusting link spring
20	101072101	1	摆动板复位板	Adjusting link guide spring
21	101072201	2	螺钉SM4.37-40×5	Screw SM4.37-40×5
22	101072301	1	拉簧固定板	Feed spring hood
23	101072401	1	倒送料扳手轴	Feed reverse shaft
24	115045001	1	O形圈12×2	Rubber ring
25	101072601	1	倒送料轴轴套	Feed lever metal
26	101020401	2	螺钉SM5.95-28×7	Screw SM5.95-28×7
27	101072801	1	倒送料扳手限位圈	Reverse feed lever stopper
28	101072901	1	螺钉M5×18	Screw M5×18
29	101073001	1	倒送料扳手	Reverse feed control lever

1	101090101	1	螺钉SM3.57-44×4.5	Screw SM3.57-44×4.5
2	125091301	1	面部防油板	Arm oil shield
3	101090301	1	回油毡	Oil felt
4	101090401	1	油管夹	Oil pipe clamp
5	101054601	1	平垫圈3.7	Washer3.7
6	101090601	1	回油毡夹	Oil felt presser
7	101090701	1	油线固定板组件	Oil thread board asm.
8	115031001	2	螺钉SM3.57-40×10.5	Screw SM3.57-40×10.5
9	101090901	1	油窗	Oil sight window
10	101091001	1	油窗O型圈	Rubber ring
11	101091101	1	油泵	Pump unit
12	028050246	1	弹簧垫圈T5	Spring washer T5
13	115072601	1	连接螺钉SM4.37-40×12	Screw SM4.37-40×12
14	028060246	2	弹簧垫圈T6	Spring washer T6
15	101074701	1	螺钉SM5.95-28×12	Screw SM5.95-28×12
16	101091601	1	油泵连接螺栓	Oil pump support
17	101091701	1	供油管接头	Rubber joint
18+	101091801	1	上轴供油管	Main shaft oil tube
18+	125091801	1	上轴供油管	Main shaft oil tube
19	101091902	1	下轴供油管	Hook driving shaft oil tube
20	101092001	1	旋梭油量调节弹簧	Adjusting spring
21	101092101	1	旋梭油量调节螺钉	Oil adjusting screw
22	101092201	3	油线	Wick
23	115050501	1	尼龙扎带	Cable ties
24	062670612	1	十字螺钉	Screw

1	101100101	1	油盘总成	Oil reservoir asm
2	101100202	1	油盘	Oil reservoir
3	101100301	1	油盘垫	Oil reservoir gasket
4	101100401	1	螺钉SM7.94-24×7	Screw SM7.94-24×7
5	101100501	1	排油孔密封圈	Seal ring
6	101100601	1	拾压脚轴	Knee press cross shaft
7	101100701	1	拾压脚双向曲柄	Connecting rod vertical
8	101100801	1	复位簧	Spring
9	048100342	1	挡圈E10	E-ring 10
10	115060201	1	拾压脚操纵接头	Bracket
11	115060101	1	膝垫总成	Knee pad plate asm
12	115060901	1	操纵橡胶垫	Knee pad rubber blanket
13	101101801	1	橡胶垫支架	Knee pad plate support
14	115060801	1	支架调节螺钉M6×12	Screw M6×12
15	115060601	1	膝垫板	Knee pad plate
16	115060701	1	膝垫支架	Knee pad plate support
17	115060501	1	操纵杆顶销	Knee pad upright shaft
18	101102301	1	拾压脚顶销	Knee press lifter rod



序号	物料号	数量	物料名称	Decription
1	115072401	3	梭芯	Bobbin
2+	115024112	4	机针DBX1-(#14)	Needle (DBX1) #14
2+	115024113	4	机针DPX5-(#22)	Needle (DPX5) #22
3	115150301	1	橡胶铰链组件	Rubber hinge asm
4	115150401	2	机头铰链	Head hinge
5	101120501	2	机头铰链套	Rubber cushion
6	101120601	2	头部防震垫(大)	Head cushion
7	115152101	8	螺钉	Screw
8	101120801	2	头部防震垫(小)	Head cushion
9	115152001	1	连杆组件	Connecting rod asm
10	115151901	1	大号油壶	Oil reserivir
11	6040101	1	机头罩	Head cover
12	115151401	1	线架组件2DR	Cotton stand assy,2DR
13	101121301	1	电控说明书	Instruction book
14	125122801	1	插头	Plug
15	115151601	1	螺丝刀(小)	Plastic cover
16	115151701	1	螺丝刀(中)	Screw dirver
17	115151801	1	螺丝刀(大)	Screw dirver
18	102120101	1	机头支柱	Head rest
19	101121901	1	内盒	Inner Box
20	115151201	1	磁铁	Magnet
21	115150701	6	鞋钉	Spike
22	115160601	1	自封袋9X19	Self sealing bag 9X19
23	115160701	1	自封袋7X10	Self sealing bag 7X10
24	115160801	1	自封袋14X20	Self sealing bag 14X20
25	115050501	3	尼龙扎带3X100	Cable ties 3X100
26	115152001	1	调速器	Governor