

1790 电子平头锁眼机

零件样本

---

# 零件册

## PARTS BOOK

### 目次

1. 机壳部件 (1)

2. 机壳部件 (2)

3. 上轴部件

4. 下轴部件

5. 压棒及送料部件

6. 针杆架部件

7. 剪面线器部件

8. 剪底线器部件

9. 刀杆部件

10. 台板部件

11. 附件

### CONTENTS

FRAME & MISCELLANEOUS COVER COMPONENTS(1)

FRAME & MISCELLANEOUS COVER COMPONENTS(2)

MAIN SHAFT COMPONENTS

HOOK DRIVING SHAFT COMPONENTS

PRESSER & FEED COMPONENTS

NEEDLE BAR ROCKING COMPONENTS

NEEDLE THREAD TRIMMER COMPONENTS

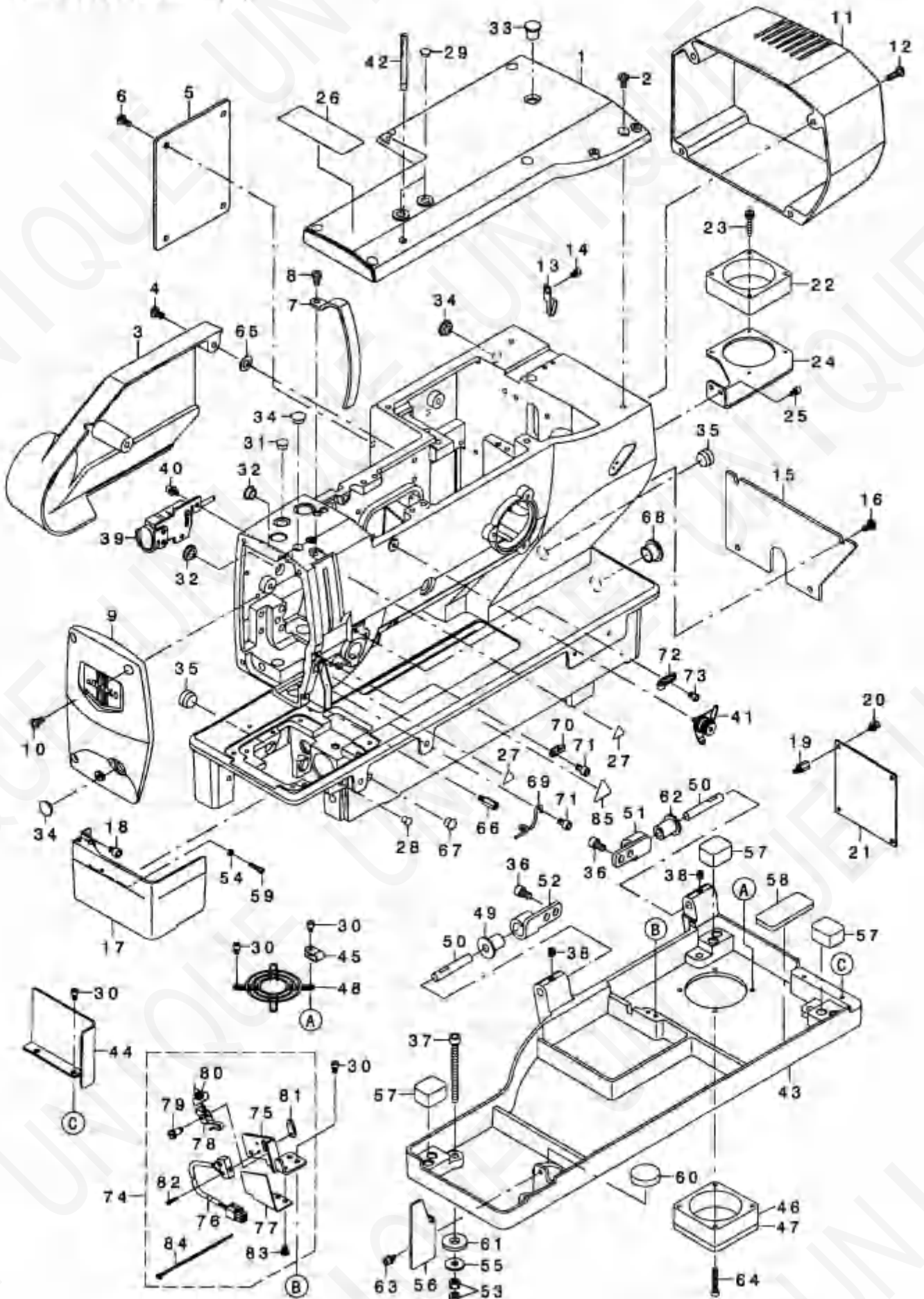
BOBBIN THREAD TRIMMER COMPONENTS

CLOTH CUTTING KNIFE COMPONENTS

TABLE COMPONENTS

ACCESSORIE PART COMPONENTS

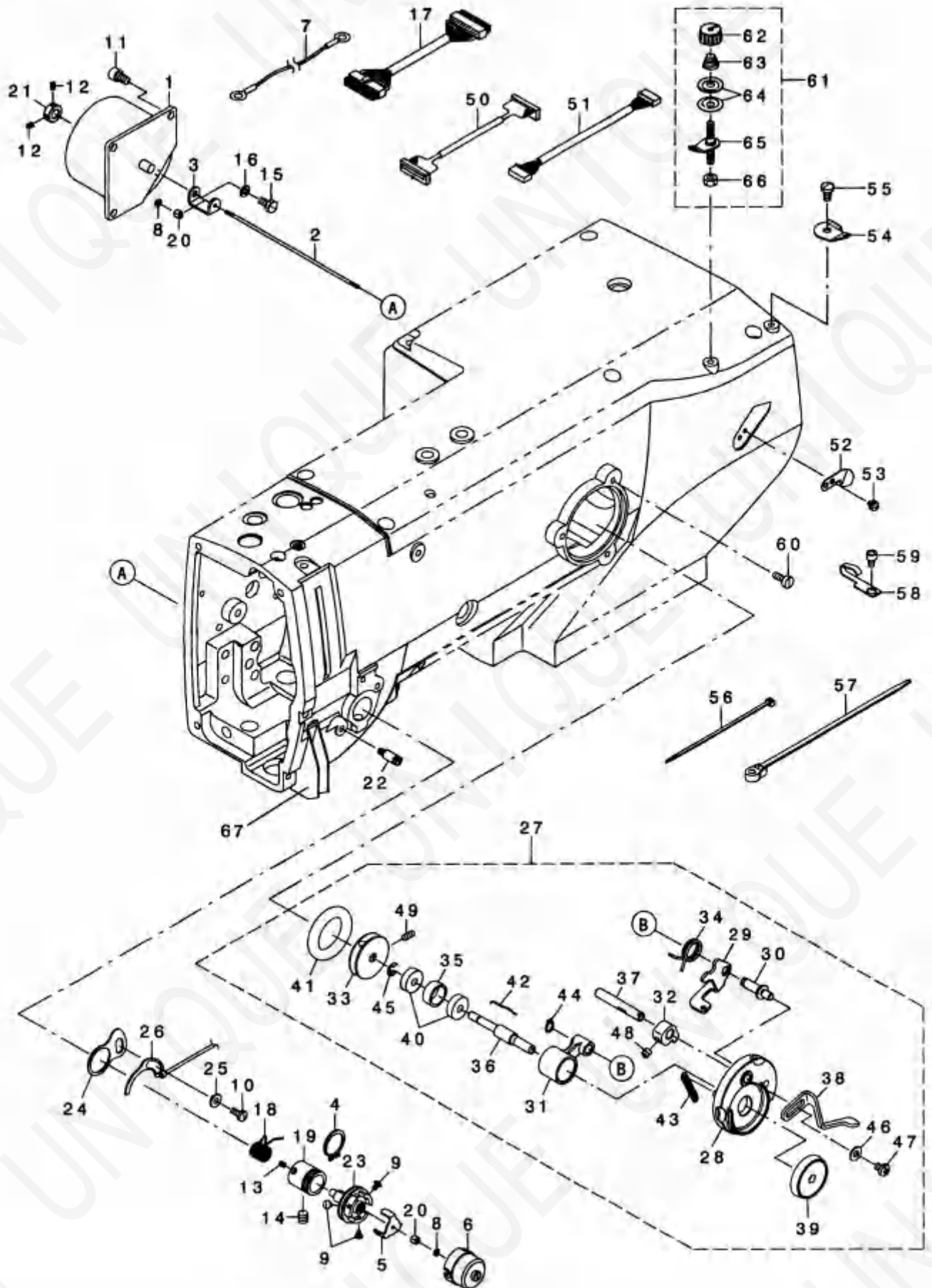
# 1. 机壳部件 (1)



# 1. 机壳部件(1)

| 序号   | Number      | Description                    | 名称               | 件号           | 数量 |
|------|-------------|--------------------------------|------------------|--------------|----|
| 1    | 40004153    | UPPER COVER                    | 顶盖               |              | 1  |
| 2    | SM4051055SP | SCREW                          | 复合槽盘头螺钉 M5×10    | 借 03-42-210  | 6  |
| 3    | 40004154    | LEFT COVER                     | 左侧盖              | 01-03-1790   | 1  |
| 4    | SM4051055SP | SCREW                          | 复合槽盘头螺钉 M5×12    | GB/T818      | 2  |
| 5    | 40004155    | LEFT COVER B                   | 盖板               | 01-05-1790   | 1  |
| 6    | SM4051055SP | SCREW                          | 复合槽盘头螺钉 M5×10    | 借 03-42-210  | 4  |
| 7    | 40004157    | THREAD TAKE UP LEVER COVER     | 挑线杆防护罩           | 01-07-1790   | 1  |
| 8    | SM4051055SP | SCREW                          | 复合槽盘头螺钉 M5×10    | 借 03-42-210  | 1  |
| 9    | 40004156    | FRONT COVER                    | 面盖               | 01-09-1790   | 1  |
| 10   | SM4051055SP | SCREW                          | 复合槽盘头螺钉 M5×10    | 借 03-42-210  | 3  |
| 11   | 40004159    | MOTOR COVER                    | 电机盖              | 01-11-1790   | 1  |
| 12   | SM4051655SP | SCREW M5 L=16                  | 复合槽盘头螺钉 M5×16    | 借 07-49-210  | 4  |
| 13   | 26230409    | LUBRICATING OIL WICK STOPPER   | 电线夹              |              | 1  |
| 14   | SM6040602TP | SCREW M4 L=6                   | 内六角圆柱头螺钉 M4×6    | GB/T70.1     | 1  |
| 15   | 40004161    | REAR COVER                     | 盖板               | 01-15-1790   | 1  |
| 16   | SM4051055SP | SCREW                          | 复合槽盘头螺钉 M5×10    | 借 03-42-210  | 4  |
| 17   | 13900956    | HOOK OIL SHIELD COVER COMPL.   | 线迹调整门盖           | 01-17-1790   | 1  |
| 17.1 |             |                                | 门铰链架             | 01-17.1-1790 | 1  |
| 17.2 |             |                                | 板簧               | 01-17.2-1790 | 1  |
| 17.3 |             |                                | 肖轴               | 01-17.3-1790 | 1  |
| 17.4 |             |                                | 螺钉11/64-40 L=5.3 | 10158        | 1  |
| 18   | SM6050652TP | HEXAGON SOCKET HEAD SCREW M5X6 | 内六角圆柱头螺钉 M5×6    | GB/T70.1     | 2  |
| 19   | HX003390000 | STUD                           | 六角挂钉             | 01-19-1790   | 4  |
| 20   | SL6040892TN | SCREW                          | 内六角组合螺钉 M4 L=8   | GB/T70.1     | 4  |
| 21   | 40003422    | INT PCB ASS'Y                  | 线路板              |              | 1  |
| 22   | 40005402    | HEAD FAN MOTOR A ASS'Y         | 风扇               | RDL6020B     | 1  |
| 23   | SL4042581SC | SCREW                          | 沉头螺钉 M4          |              | 2  |
| 24   | 40004367    | FAN FITTING PLATE              | 风扇支架             | 01-24-1790   | 1  |
| 25   | SM6040602TP | SCREW M4 L=6                   | 内六角圆柱头螺钉 M4×6    | GB/T70.1     | 2  |
| 26   | CM301300001 | SAFETY LABEL                   | 安全标签             |              | 1  |
| 27   | CM300200001 | ATTENTION SEAL                 | 小心标签             |              | 2  |
| 28   | TA0550604R0 | RUBBER PLUG                    | 橡皮塞 φ5.3         | 01-28-1790   | 1  |
| 29   | TA0750404R0 | PLUG D=7.5 L=3.5               | 橡皮塞 φ8.5         | 01-023-210   | 2  |
| 30   | SM6040602TP | SCREW M4 L=6                   | 内六角圆柱头螺钉 M4×6    | GB/T70.1     | 6  |
| 31   | TA0950806R0 | RUBBER PLUG                    | 橡皮塞 φ8.5         | 01-023-210   | 1  |
| 32   | TA1050504R0 | RUBBER PLUG                    | 橡皮塞 φ10.5        | 10-002-185   | 2  |
| 33   | TA1120804R0 | RUBBER PLUG                    | 橡皮塞 φ11.2        | 01-33-1790   | 1  |
| 34   | TA1250406R0 | RUBBER PLUG D=12.5 L=4         | 橡皮塞 φ12.5        | 10-005-185   | 3  |
| 35   | TA1550902R0 | PLUG                           | 橡皮塞 φ15.3        | 01-35-1790   | 2  |
| 36   | SM6061002TP | SCREW M6 L=10                  | 内六角圆柱头螺钉 M6×10   | GB/T70.1     | 4  |
| 37   | SM6067052TP | HEXAGON BOLT                   | 内六角圆柱头螺钉M6×70    | GB/T70.1     | 4  |
| 38   | SM8060612TP | SCREW M6 L=6                   | 内六角平端紧定螺钉 M6×6   | GB/T77       | 2  |
| 39   | 32002354    | SWITCH ASM.                    | 急停开关             |              | 1  |
| 40   | SL6040892TN | SCREW                          | 内六角螺钉9/64-40 L=6 | 10616A       | 2  |
| 41   | 22528764    | PRE-TENSION CONTROLLER ASM.    | 夹线器组件            |              | 1  |
| 42   | 22502504    | THREAD GUIDE BAR               | 过线柱              |              | 1  |
| 43   | 40004158    | BED BASE                       | 油盘               | 01-43-1790   | 1  |
| 44   | 40004160    | BED REAR COVER                 | 盖板               | 01-44-1790   | 1  |
| 45   | HX00150000A | CABLE CLAMP                    | 线夹               |              | 1  |
| 46   | 40005403    | HEAD FAN MOTOR B ASS'Y         | 风扇               | RDL6020B     | 1  |
| 47   | HM000550010 | FILTER                         | 风扇滤网             |              | 1  |
| 48   | HM0003800A0 | FINGER GUARD                   | 风扇防护罩            |              | 1  |
| 49   | 40006314    | HINGE BUSH                     | 橡胶轴套             | 01-49-1790   | 1  |
| 50   | 13700604    | HINGE PIN                      | 小轴               | 01-50-1790   | 2  |
| 51   | 13700406    | HINGE PLATE A                  | 后支架              | 01-51-1790   | 1  |
| 52   | 13700505    | HINGE PLATE B                  | 前支架              | 01-52-1790   | 1  |
| 53   | NM6060001SD | NUT M6                         | 六角螺母 M6          | GB/T6175     | 2  |
| 54   | NM6030001SD | NUT M3X0.5                     | 六角螺母 M3          | GB/T6175     | 1  |
| 55   | WP0612056SD | WASHER 6.1X18.5X2              | 大垫圈 φ6.2Xφ18.5X2 |              | 4  |
| 56   | 13943303    | OIL SHIELD                     | 挡板               | 01-56-1790   | 1  |
| 57   | 40008977    | RUBBER C                       | 脚垫               | 01-57-1790   | 3  |
| 58   | 40008978    | RUBBER D                       | 长吸振垫             | 01-58-1790   | 1  |
| 59   | SM6031402TP | SCREW                          | 内六角圆柱头螺钉 M3×14   | GB/T70.1     | 1  |
| 60   | E2002855000 | Z STOPPER RUBBER               | 圆吸振垫             | 01-60-1790   | 1  |
| 61   | D6056555B00 | RUBBER CUSHION (B)             | 橡皮垫圈             |              | 4  |
| 62   | 13700703    | RUBBER HINGE                   | 轴套               | 01-62-1790   | 1  |
| 63   | SL6040892TN | SCREW                          | 内六角螺钉 M4 L=8     | GB/T70.1     | 1  |
| 64   | SM1043001SP | SCREW M4X0.7 L=30              | 沉头螺钉 M4          |              | 2  |
| 65   | B1116804000 | CLOTH PLATE WASHER             | 橡皮垫圈 φ6          |              | 2  |
| 66   | E3724715000 | VCS STUD A                     | 六角柱钉             | 01-66-1790   | 1  |
| 67   | TA0850604R0 | RUBBER PLUG                    | 橡皮塞 φ8.5         | 01-023-210   | 1  |
| 68   | B1150490000 | RUBBER PLUG                    | 橡皮塞 φ16.7        | 01-68-1790   | 1  |
| 69   | 13705405    | NEEDLE BAR THREAD GUIDE        | 线挂               | 01-69-1790   | 1  |
| 70   | 13922208    | TAKE-UP THREAD GUIDE B         | 左线钩              |              | 1  |
| 71   | SM6050802TP | SCREW M5X0.8 L=8               | 内六角圆柱头螺钉 M5×8    | GB/T70.1     | 2  |
| 72   | 40009037    | TAKE-UP THREAD GUIDE A         | 右线钩              |              | 1  |
| 73   | SM6040602TP | SCREW M4 L=6                   | 内六角圆柱头螺钉 M4×6    | GB/T70.1     | 1  |
| 74   | 40003495    | SAFETY SWITCH ASS'Y            | 安全开关组件           |              | 1  |
| 75   | 14516603    | SAFETY SW BASE                 | 感应器支架            | 01-75-1790   | 1  |
| 76   | 40003496    | SAFETY SWITCH CORD ASS'Y       | 微动开关组件           |              | 1  |
| 77   | 14516900    | SAFETY SWITCH COVER            | 安全开关盖板           | 01-77-1790   | 1  |
| 78   | 23638109    | SAFETY SWITCH ARM              | 安全开关臂            | 03-065-210   | 1  |
| 79   | 23638307    | SAFETY SWITCH ARM SHAFT        | 安全开关轴            | 03-066-210   | 1  |
| 80   | 23638208    | SAFETY SWITCH SPRING           | 扭转弹簧             | 03-067-210   | 1  |
| 81   | 23638406    | SAFETY SWITCH NUT              | 安全开关压板           | 03-068-210   | 1  |
| 82   | SM4021201SC | SCREW M2 L=12                  | 螺钉 M2×12         | GB/T818      | 2  |
| 83   | SS7090520SP | SCREW 9/64-40 L= 4.5           | 螺钉 9/64-40 L=4.5 | 10305        | 2  |
| 84   | EA9500B0100 | CABLE BAND                     | 尼龙扎带 3×100       |              | 1  |
| 85   | CM300200003 | ATTENTION LABEL                | 小心标签             |              | 1  |

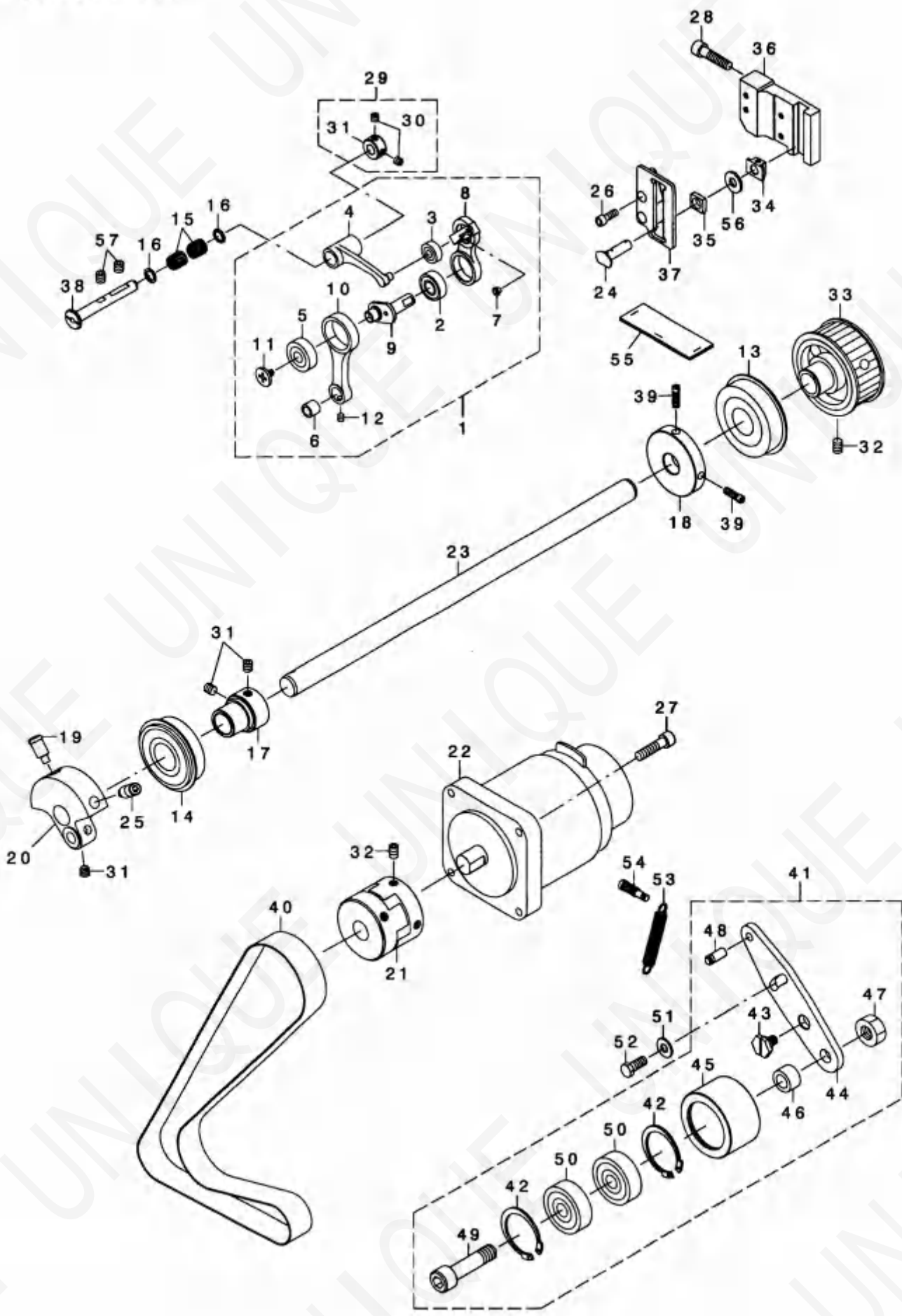
## 2. 机壳部件 (2)



## 2. 机壳部件(2)

| 序号 | Number      | Description                    | 名称               | 件号          | 数量 |
|----|-------------|--------------------------------|------------------|-------------|----|
| 1  | 40006261    | ASSY_AT_SOLENOID               | 电磁铁              |             | 1  |
| 2  | 40006263    | AT_SHAFT                       | 细拉杆              | 02-02-1790  | 1  |
| 3  | 40006264    | AT_SHAFT HOLDER                | 小支架              | 02-03-1790  | 1  |
| 4  | RC1700001KP | RETAINING RING                 | 轴用挡圈             |             | 1  |
| 5  | 40006269    | DISK_STOPPER                   | 夹线罩              |             | 1  |
| 6  | 40006271    | DISK_STOPPER HOLDER_CAP        | 护罩               |             | 1  |
| 7  | M90195800AO | EARTH CABLE ASM.               | 接地线              |             | 1  |
| 8  | NM6020001CP | NUT                            | 六角螺母 M2          | GB/T6170    | 2  |
| 9  | SM0860400SN | SCREW                          | 圆头螺钉             |             | 3  |
| 10 | SM6040860TP | SCREW M4 L=8                   | 螺钉               |             | 1  |
| 11 | SM6050802TP | SCREW M5X0.8 L=8               | 内六角圆柱头螺钉 M5×8    | GB/T70.1    | 3  |
| 12 | SM8030412TP | SCREW                          | 紧定螺钉             |             | 2  |
| 13 | SM8030450SP | SCREW M3 L=4                   | 紧定螺钉             |             | 1  |
| 14 | SM8060612TP | SCREW M6 L=6                   | 紧定螺钉             |             | 1  |
| 15 | SM9040800SP | SCREW                          | 螺钉               |             | 1  |
| 16 | WS0410002KP | SPRING WASHER                  | 垫圈               |             | 1  |
| 17 | 40005397    | MAIN-INT CORD A ASS'Y          | 导线               |             | 1  |
| 18 | 10006104    | TAKE-UP SPRING                 | 挑线簧              |             | 1  |
| 19 | 40006268    | THREAD_TENSION_POST_BASE       | 过线螺钉座            |             | 1  |
| 20 | 40006270    | THREAD_TENSION_SHAFT_COLLAR    | 扁螺母              | 02-20-1790  | 2  |
| 21 | 32055402    | THRUST COLLAR                  | 紧圈               |             | 1  |
| 22 | 40004252    | UTT_SUSPENSION_SCREW_9         | 悬挂螺钉             |             | 1  |
| 23 | 40006265    | ASSY_THREAD_TENSION_POST       | 夹线器组件            |             | 1  |
| 24 | B2702210000 | GUIDE PLATE                    | 绝缘圈              |             | 1  |
| 25 | B2703210000 | BUSHING                        | 绝缘垫片             |             | 1  |
| 26 | 40003499    | THREAD BREAK DETECTOR A        | 感应板              |             | 1  |
| 27 | 40011143    | ASSY_BTW                       |                  |             | 1  |
| 28 | 26260109    | BTW_BASE                       |                  |             | 1  |
| 29 | 26260208    | BTW_CAM_PLATE                  |                  |             | 1  |
| 30 | 26260307    | BTW_BASE_SHAFT                 |                  |             | 1  |
| 31 | 26260406    | BTW_SHAFT_BASE                 |                  |             | 1  |
| 32 | 26260505    | BTW_CAM_LEVER                  |                  |             | 1  |
| 33 | 26260604    | BTW_WHEEL                      |                  |             | 1  |
| 34 | 40011144    | BTW_TORSION_SPRING             |                  |             | 1  |
| 35 | 26260802    | BTW_BEARING_SPACER             |                  |             | 1  |
| 36 | 40011145    | BTW_SHAFT                      |                  |             | 1  |
| 37 | 40011146    | BTW_LEVER_SHAFT                |                  |             | 1  |
| 38 | 40021933    | BTW_LEVER                      | 绕线器组件            |             | 1  |
| 39 | 26261206    | BTW_SPACER                     |                  |             | 1  |
| 40 | 26261305    | BTW_BEARING                    |                  |             | 2  |
| 41 | 26261503    | BTW_WHEEL_RUBBER               |                  |             | 1  |
| 42 | 26261602    | BOBBIN_SPRING                  |                  |             | 1  |
| 43 | 26261701    | BTW_SPRING                     |                  |             | 1  |
| 44 | RC0560711KP | RETAINING RING                 |                  |             | 1  |
| 45 | RE0400000KO | E-RING 4                       |                  |             | 1  |
| 46 | WP0450826SC | WASHER 4.5X10X0.8              |                  |             | 1  |
| 47 | SM5040655SN | SCREW                          |                  |             | 1  |
| 48 | SM8050502TP | SCREW M5 L=5                   |                  |             | 1  |
| 49 | SM8040802TP | SCREW M4X8                     |                  |             | 2  |
| 50 | 40005398    | MAIN-INT CORD B ASS'Y          | 导线               |             | 1  |
| 51 | 40005399    | MAIN-INT CORD D ASS'Y          | 导线               |             | 1  |
| 52 | 10502300    | THREAD CUTTER                  | 割线刀              | 01-047-1900 | 1  |
| 53 | SL4030581SC | COMBINATION SCREW M3 X 5       | 螺钉 9/64-40 L=5   |             | 1  |
| 54 | D3162555B00 | THREAD GUIDE                   | 过线架              |             | 1  |
| 55 | SS7110840SP | SCREW 11/64-40 L=7.8           | 螺钉11/64-40 L=7.8 |             | 1  |
| 56 | EA9500B0100 | CABLE BAND                     | 线卡               |             | 10 |
| 57 | HX00151000A | CABLE BAND                     | 线卡               |             | 2  |
| 58 | 26230409    | LUBRICATING OIL WICK STOPPER   | 线夹               |             | 3  |
| 59 | SM6040602TP | SCREW M4 L=6                   | 螺钉               |             | 3  |
| 60 | SM6041050SN | SCREW M4 L=10                  | 螺钉11/64-40 L=11  |             | 3  |
| 61 | 22529481    | BOBBIN THREAD TENSION ASM.     |                  |             | 1  |
| 62 | 11072402    | THREAD TENSION NUT             |                  |             | 1  |
| 63 | 11093606    | THREAD TENSION SPRING          |                  |             | 1  |
| 64 | B3214047000 | BOBBIN WINDER TENSION DISC     | 夹线器组件            |             | 2  |
| 65 | 22529473    | BOBBIN THREAD TENSION ROD ASM. |                  |             | 1  |
| 66 | NS6110310SP | NUT 11/64-40                   |                  |             | 1  |
| 67 |             |                                | 护线槽              | 02-67-1790  | 1  |

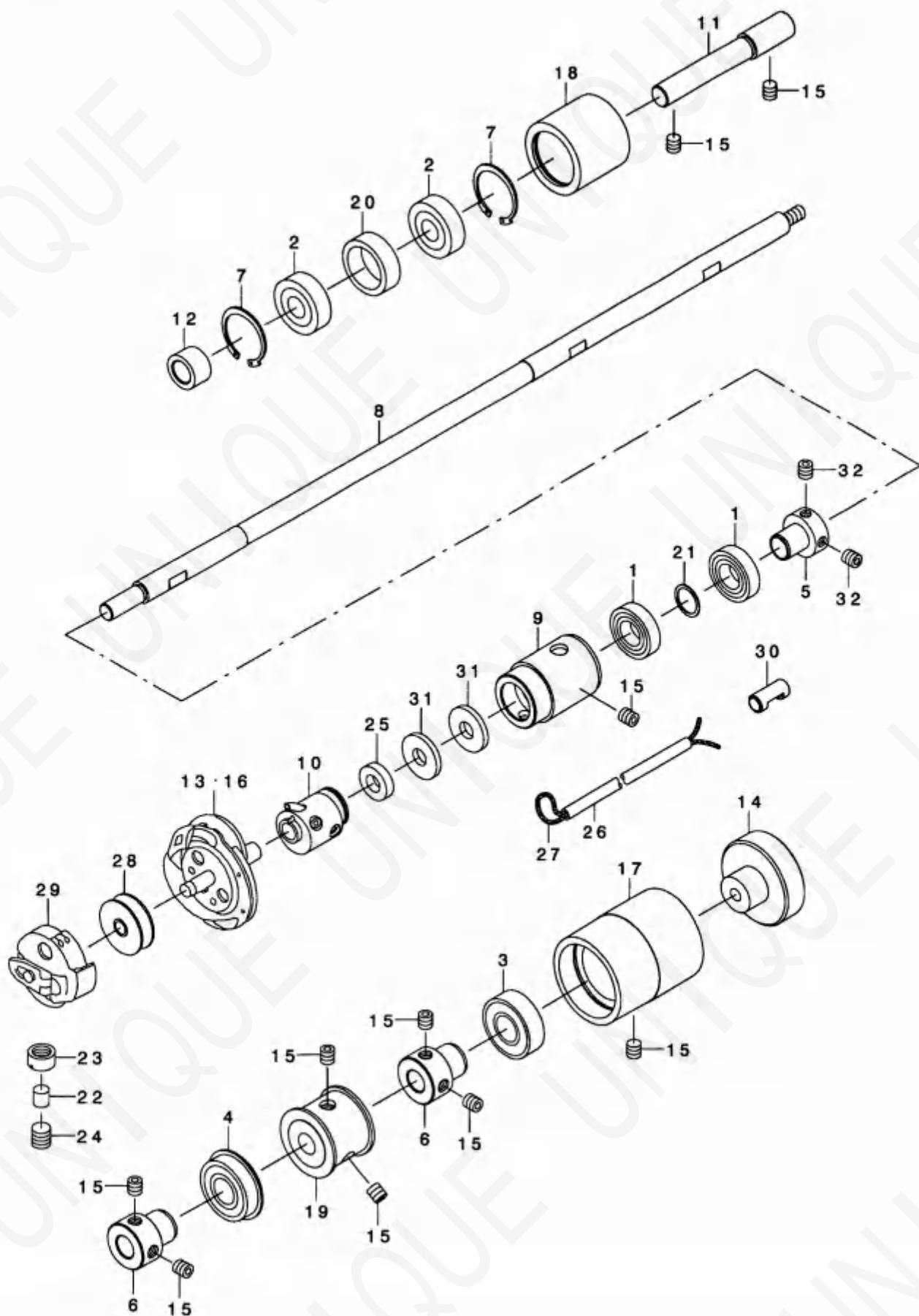
### 3. 上轴部件



### 3. 上轴部件

| 序号 | Number      | Description                  | 名称                                       | 件号                                  | 数量 |
|----|-------------|------------------------------|--|-------------------------------------|----|
| 1  | 40004178    | THREAD TAKE UP ASM.          | 挑线杆组件                                    |                                     | 1  |
| 2  | SB108002300 | BEARING                      | 滚珠轴承 $\phi 8 \times \phi 19 \times 6$    | 698Z                                | 1  |
| 3  | SB105001800 | BEARING                      | 滚珠轴承 $\phi 5 \times \phi 14 \times 5$    | 605Z                                | 1  |
| 4  | 40004177    | THREAD TAKE UP CRANK         | 挑线杆曲柄                                    | 03-04-1790                          | 1  |
| 5  | SB108000400 | BUSHING                      | 滚珠轴承 $\phi 8 \times \phi 22 \times 7$    | 608DW1                              | 1  |
| 6  | 40006311    | BUSH                         | 针杆曲柄连杆铜套                                 | 03-06-1790                          | 1  |
| 7  | B1908505000 | THREAD PASS BUSH             | 挑线杆孔套                                    | 03-07-1790                          | 1  |
| 8  | 40004173    | LINK TAKE UP                 | 挑线杆                                      | 03-08-1790                          | 1  |
| 9  | 40004174    | NEEDLE BAR CRANK             | 针杆曲柄                                     | 03-09-1790                          | 1  |
| 10 | 40004175    | NEEDLE BAR CRANK ROD         | 连杆组件、针杆曲柄连杆                              | 03-10-1790、03-10.1-1790             | 1  |
| 11 | B1903552000 | LEFT SCREW                   | 左旋螺钉                                     | 10315-780                           | 1  |
| 12 | SM8040412TP | SET SCREW M4 L=4             | 无头内六角螺钉M4 L=4                            | GB/T80-1985                         | 2  |
| 13 | SB120000800 | BEARING                      | 带边后轴承                                    | 6304Z                               | 1  |
| 14 | SB120002000 | BEARING                      | 带边前轴承 $\phi 20 \times \phi 47 \times 14$ | 6204N                               | 1  |
| 15 | SB307000200 | BEARING                      | 滚针轴承 $\phi 7 \times \phi 10 \times 9.7$  |                                     | 2  |
| 16 | 22891204    | BEARING SUPPORT              | 垫圈                                       | 03-16-1790                          | 2  |
| 17 | 23605207    | BEARING HOLDER               | 前轴承定位套                                   | 03-17-1790                          | 1  |
| 18 | 23636400    | BOBBIN WINDER DRIVING WHEEL  | 摩擦轮                                      | 03-18-1790                          | 1  |
| 19 | 40004171    | COUNTER WEIGHT SCREW         | 定位螺钉 M8 L=15                             | 04-011-210                          | 1  |
| 20 | 40004170    | COUNTER WEIGHT               | 配重块                                      | 03-20-1790                          | 1  |
| 21 | 23604309    | COUPLING                     | 三爪联轴器组件                                  | 04-042.1-210、04-042-210、02-010.3-11 | 1  |
| 22 | 40028015    | AC SERVO MOTOR               | 步进电机                                     |                                     | 1  |
| 23 | 40004167    | MAIN SHAFT                   | 主轴                                       | 03-23-1790                          | 1  |
| 24 | 40004208    | NEEDLE CRANK SHAFT           | 铰链销、油芯                                   | 03-24-1790、03-24.1-1790             | 1  |
| 25 | SM8081652TP | SCREW M8 L=16                | 无头内六角螺钉 M8 L=16                          | GB/T79-1985                         | 1  |
| 26 | SM6041202TP | SCREW M4X0.7 L=12            | 内六角螺钉 M4 L=12                            | GB/T70.1-1985                       | 2  |
| 27 | SM6052002TR | SCREW M5 L=20                | 内六角螺钉 M5 L=20                            | GB/T70.1-1985                       | 1  |
| 28 | SM6062502TP | SCREW M6 L=25                | 内六角螺钉 M6 L=25                            | GB/T70.1-1985                       | 3  |
| 29 | 40010434    | THRUST COLLAR ASM.           | 挡圈                                       | 03-29-1790                          | 1  |
| 30 | SM8050412TP | SCREW M5 L=4                 | 无头螺钉 11/64-40 L=5                        | 10111                               | 2  |
| 31 | 40010435    | THRUST COLLAR                | 无头内六角螺钉 M6 L=6                           | GB/T80-1985                         | 4  |
| 32 | SM8060812TP | SCREW M6 L=8                 | 无头内六角螺钉 M6 L=8                           | GB/T77-1986                         | 6  |
| 33 | 40004168    | SPROCKET A                   | 同步带轮                                     |                                     | 1  |
| 34 | 40004206    | SQUARE BLOCK                 | 滑块                                       | 03-34-1790                          | 1  |
| 35 | 40008426    | SQUARE BLOCK                 | 滑块                                       | 03-35-1790                          | 1  |
| 36 | 40006307    | SQUARE BLOCK GUIDE           | 滑块座 (导向定位块)                              | 03-36-1790                          | 1  |
| 37 | 40006308    | SQUARE BLOCK GUIDE B         | 滑块导轨                                     | 03-37-1790                          | 1  |
| 38 | 40006300    | THREAD TAKE UP CRANK SHAFT   | 挑线杆曲柄销                                   | 03-38-1790                          | 1  |
| 39 | SS6111440SP | SCREW 11/64-40 L=14.0        | 无头螺钉 11/64-40 L=13.5                     | 03-39-1790                          | 1  |
| 40 | 40004169    | TIMING BELT                  | 同步齿形带                                    |                                     | 1  |
| 41 | 40004182    | IDLER ASM.                   | 皮带压轮组件                                   |                                     | 1  |
| 42 | RC3781518KP | RETAINING RING               | 孔用弹性挡圈 $\phi 35$                         | GB/T893.1-1986                      | 2  |
| 43 | 40004185    | HINGE SCREW                  | 轴位螺钉                                     | 03-43-1790                          | 1  |
| 44 | 40004184    | IDLER FIXED PLATE            | 压轮支承板                                    | 03-44-1790                          | 1  |
| 45 | 40004183    | IDLER PULLEY                 | 皮带压轮                                     | 03-45-1790                          | 1  |
| 46 | 13710504    | INTERMEDIATE SPROCKET WASHER | 垫圈                                       | 03-46-1790                          | 1  |
| 47 | NM6100001SD | NUT M10                      | 六角螺母 M10                                 | GB/T6170-1986                       | 1  |
| 48 | 11050804    | FEED LEVER SPRING HOOK       | 弹簧挂钩                                     | 03-48-1790                          | 1  |
| 49 | SM6104352TP | SCREW M10 L=42.5             | 皮带压轮轴 M10 L=42.5                         | 03-49-1790                          | 1  |
| 50 | SB110000700 | BALL BEARING                 | 滚珠轴承 $\phi 10 \times \phi 35 \times 11$  | 6300Z                               | 2  |
| 51 | WP0621046SP | WASHER                       | 垫圈 $\phi 6$                              | GB/T97.1-1985                       | 1  |
| 52 | SM9061403CP | SCREW M6 L=14                | 六角螺钉 M6 L=14                             | GB/T5783-1986                       | 1  |
| 53 | 40004192    | ADJUSTING SPRING             | 拉簧                                       | 03-53-1790                          | 1  |
| 54 | 40004179    | SUSPENSION SCREW             | 吊挂螺钉                                     | 03-54-1790                          | 1  |
| 55 | 40011517    | NEEDLE BAR CRANK FELT        | 油毡                                       |                                     | 1  |
| 56 | 40008423    | WASHER                       | 垫片                                       | 03-56-1790                          | 1  |
| 57 | SM8060612TP | SCREW M6 L=6                 | 无头内六角螺钉 M6 L=6                           | GB/T80-1985                         | 2  |

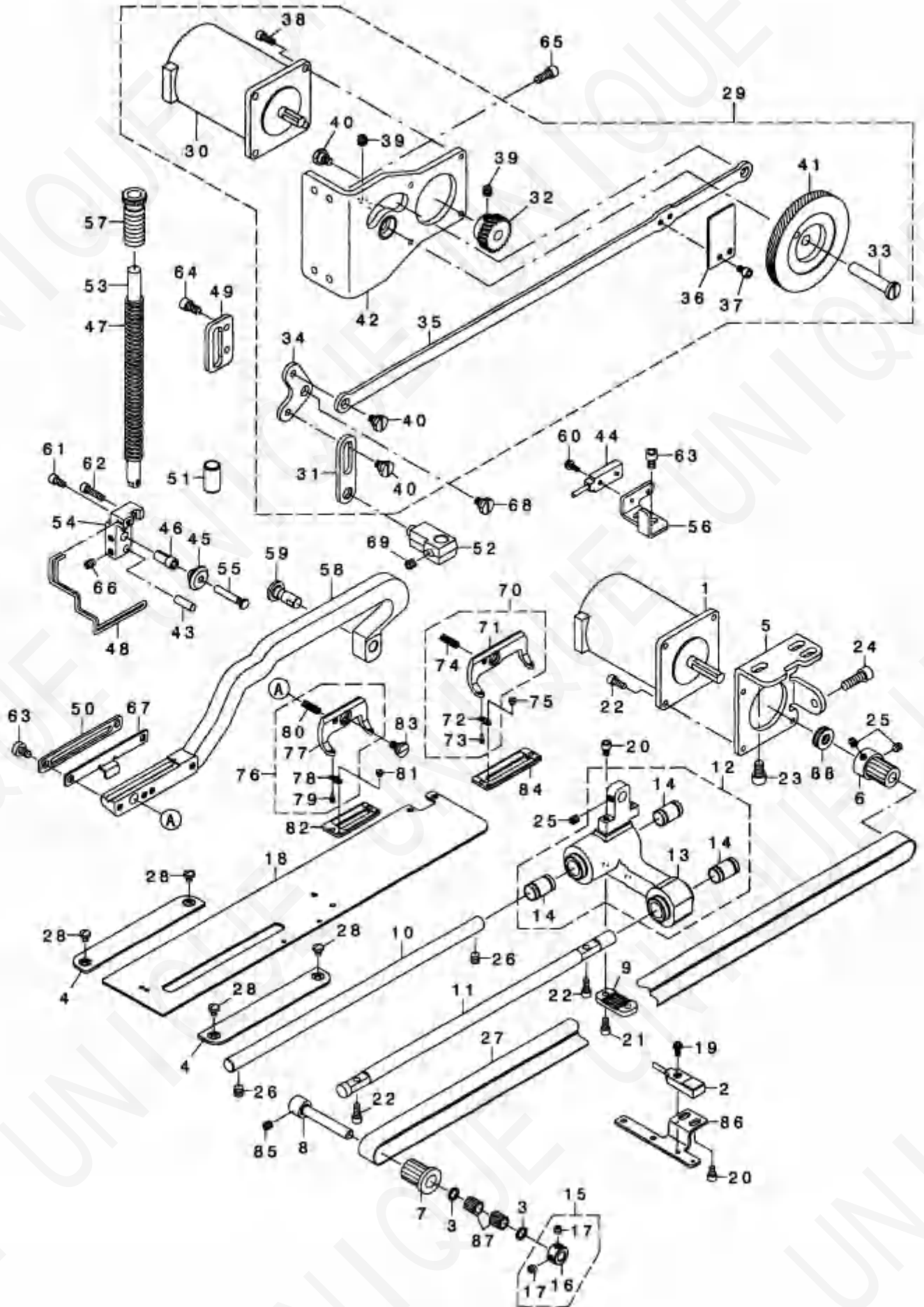
#### 4. 下轴部件



#### 4. 下轴部件

| 序号   | Number      | Description                  | 名 称              | 件 号          | 数量 |
|------|-------------|------------------------------|------------------|--------------|----|
| 1    | SB112001600 | BEARING                      | 两端带防尘盖球轴承 6901Z  | 12×24×6      | 2  |
| 2    | SB110000600 | BALL BEARING                 | 带防尘盖球轴承 6000V    | 10×26×8      | 2  |
| 3    | SB115000200 | BEARING                      | 两端带防尘盖球轴承 6202Z  | 15×35×11     | 1  |
| 4    | SB115001500 | BEARING                      | 带单面止推环球轴承 6202DV | 15×35×11     | 1  |
| 5    | 40004188    | BEARING_SUPPORT              | 下轴前轴承套           | 04-05-1790   | 1  |
| 6    | 23536204    | BUSH                         | 下轴轴承套            | 04-06-1790   | 2  |
| 7    | RC2791218KP | RETAINING RING               | 孔用弹性挡圈 26        | GB/T893.1    | 2  |
| 8    | 40004186    | HOOK_DRIVING_SHAFT           | 下轴               | 04-08-1790   | 1  |
| 9    | 40004187    | HOOK_DRIVING_SHAFT_METAL     | 下轴前套             | 04-09-1790   | 1  |
| 10   | 13729660    | HOOK SLEEVE ASM.             | 旋梭接套组件           | 04-10-1790   | 1  |
| 10.1 |             |                              | 旋梭接套             | 04-10.1-1790 | 1  |
| 10.2 |             |                              | 输油管              | 04-10.2-1790 | 1  |
| 11   | 13710306    | INTERMEDIATE SPROCKET SHAFT  | 同步带轮轴            | 04-11-1790   | 1  |
| 12   | 13710504    | INTERMEDIATE SPROCKET WASHER | 挡 圈              | 04-12-1790   | 1  |
| 13   | 13729066    | HOOK COMPL.                  | 旋梭               |              | 1  |
| 14   | G8039870000 | CROWN KNOB                   | 下轴把手             | 04-14-1790   | 1  |
| 14.1 |             |                              | 铜嵌件              | 04-14.1-1790 | 1  |
| 15   | SM8060612TP | SCREW M6 L=6                 | 内六角平端紧定螺钉M6×6    | GB/T77       | 10 |
| 16   | 13782065    | HOOK COMPL. (K)              | 旋梭               |              | 1  |
| 17   | 14504401    | BEARING SUPPORT              | 下轴后套             | 04-17-1790   | 1  |
| 18   | 40004180    | SPROCKET_B                   | 同步带轮             |              | 1  |
| 19   | 40004181    | SPROCKET_C                   | 同步带轮             |              | 1  |
| 20   | 13710405    | INTERMEDIATE SPROCKET RING   | 隔 圈              | 04-20-1790   | 1  |
| 21   | 40006317    | WASHER                       | 轴承隔圈             | 04-21-1790   | 1  |
| 22   | 40006322    | ADJUSTING SHAFT              | 油量调节柱            | 04-22-1790   | 1  |
| 23   | 40006312    | ADJUSTING_NUT                | 锁紧螺母             | 04-23-1790   | 1  |
| 24   | SM8080812TP | SCREW M8X8                   | 内六角平端紧定螺钉M8×8    | GB/T77       | 1  |
| 25   | 40006320    | FELT                         | 油毡               |              | 1  |
| 26   | 23630007    | TUBE                         | 油管               |              | 1  |
| 27   | CQ202000000 | OIL WICK                     | 油绳               |              | 1  |
| 28   | B1811771000 | BOBBIN                       | 梭芯               |              | 1  |
| 29   | 13729769    | BOBBIN CASE ASM.             | 梭壳               |              | 1  |
| 30   | 40006321    | PIPE                         | 油管衬套             | 04-30-1790   | 1  |
| 31   | 40011355    | OIL_FILTER                   | 油毡圈              |              | 2  |
| 32   | SM8050502TP | SCREW M5 L=5                 | 内六角平端紧定螺钉M5×5    | GB/T77       | 2  |
|      |             |                              |                  |              |    |

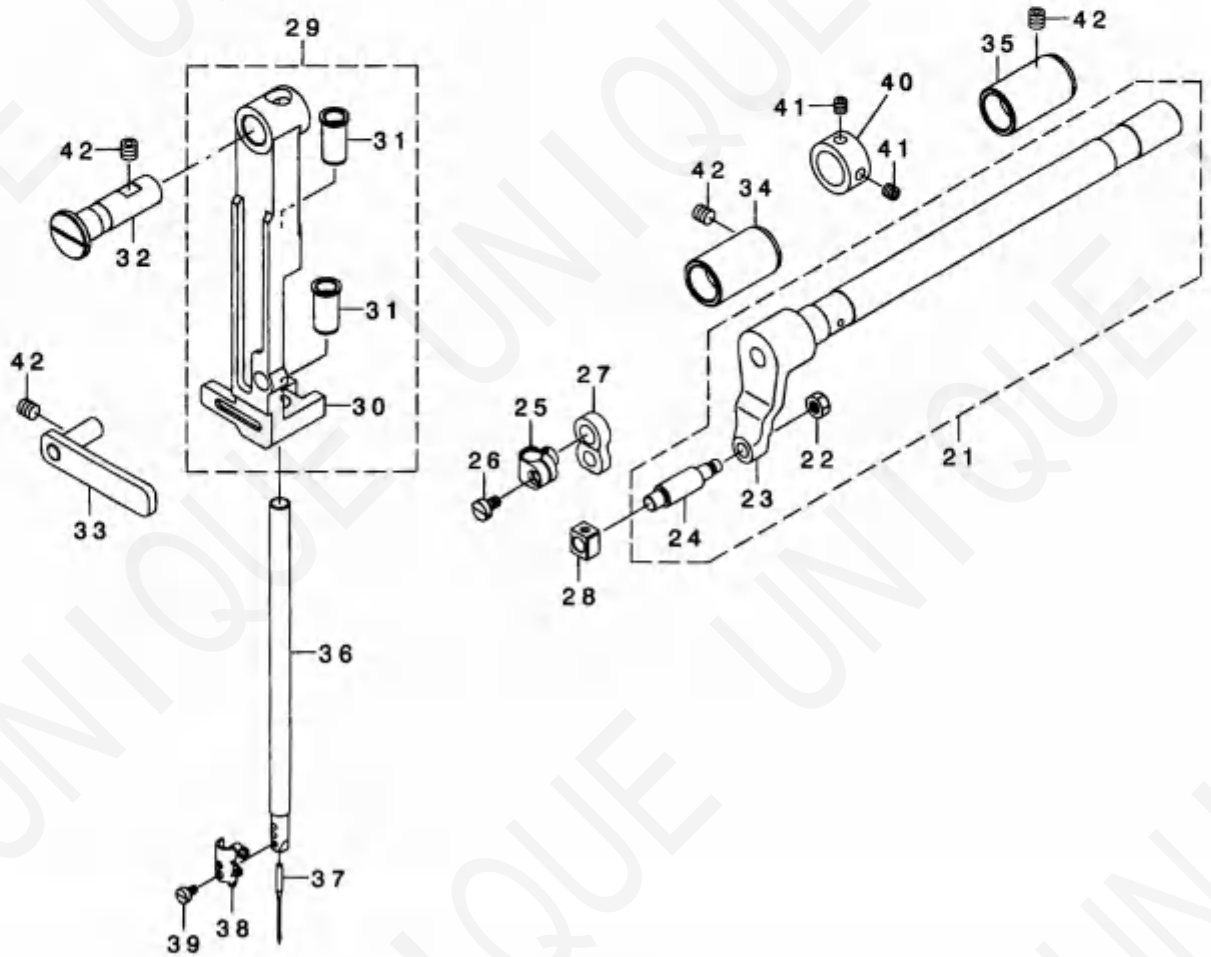
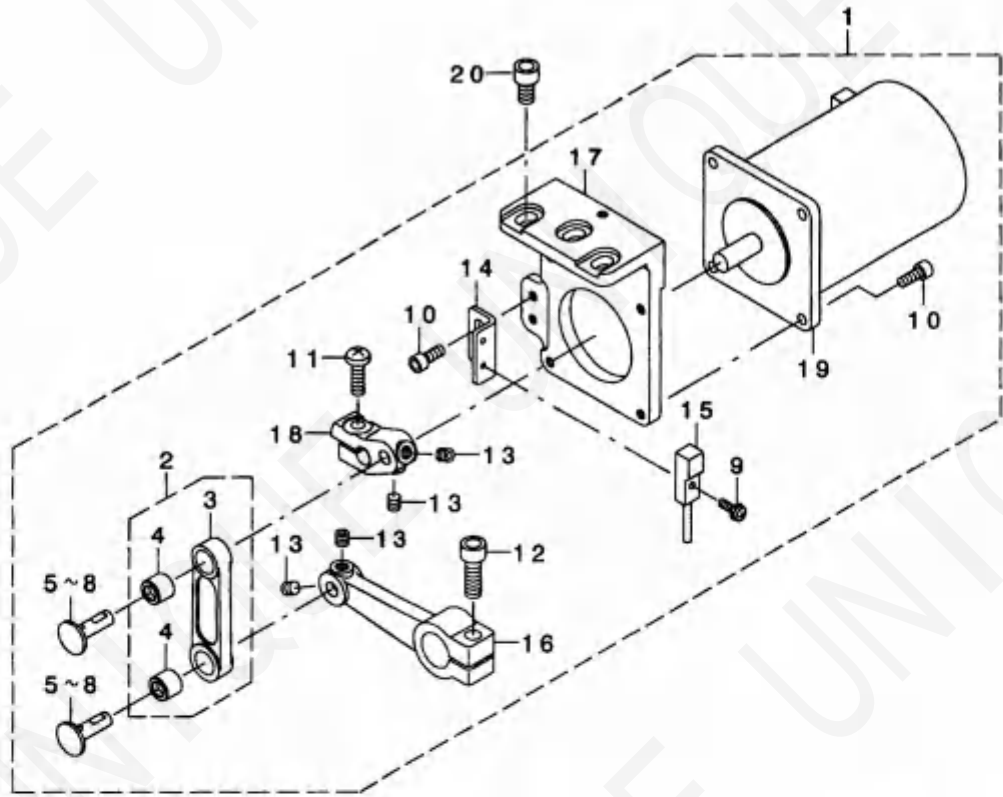
# 5. 压棒与送料部件



## 5. 部件

| 序号   | Number       | Description                    | 名称            | 件号           | 数量 |
|------|--------------|--------------------------------|---------------|--------------|----|
| 1    | 40005372     | FEED MOTOR ASS\Y               | 电机            |              | 1  |
| 2    | 40005378     | FEED SENSOR ASS\Y              | 传感器           |              | 1  |
| 3    | 22891204     | BEARING SUPPORT                | 挡圈            | 05-03-1790   | 2  |
| 4    | 14509202     | THROAT PLATE BASE COVER        | 面板            | 05-04-1790   | 2  |
| 5    | 40004194     | MOTOR BRACKET                  | 送布电机支架        | 05-05-1790   | 1  |
| 6    | 40004196     | PULLEY B                       | 同步轮           |              | 1  |
| 7    | 40004197     | PULLEY C                       | 小同步轮          |              | 1  |
| 8    | 40004198     | SUPPORT_SHAFT                  | 小同步轮轴         | 05-08-1790   | 1  |
| 9    | 40004200     | TIMING BELT HOLDER             | 同步带压板         | 05-09-1790   | 1  |
| 10   | 40004201     | FEED_SHAFT                     | 送布导向轴         | 05-10-1790   | 1  |
| 11   | 40022121     | FEED GUIDE_SHAFT               | 辅助轴           | 05-11-1790   | 1  |
| 12   | 40004203     | FEED_BASE_ASM.                 | 组件            |              | 1  |
| 13   | 40004204     | FEED BASE                      | 直线轴承座         | 05-13-1790   | 1  |
| 14   | SB710000200  | SLIDE BEARING                  | 直线轴承          | φ10×φ19×28.9 | 3  |
| 15   | 40010434     | THRUST COLLAR ASM.             | 挡圈组件          |              | 1  |
| 16   | 40010435     | THRUST COLLAR                  | 挡圈            | 05-16-1790   | 1  |
| 17   | SM8050412TP  | SCREW M5 L=4                   | 内六角平端紧定螺钉M5×5 | GB/T77       | 2  |
| 18   | 40004205     | WORK CLAMP CARRIER             | 推板            | 05-18-1790   | 1  |
| 19   | SL4031081SC  | SCREW M3 X 10                  | 螺钉 M3×10      |              |    |
| 20   | SM6040602TP  | SCREW M4 L=6                   | 内六角圆柱头螺钉M4×6  | GB/T70.1     | 4  |
| 21   | SM6040802TP  | SCREW M4X0.7 L=8               | 内六角圆柱头螺钉M4×8  | GB/T70.1     | 2  |
| 22   | SM6041002TP  | SCREW M4 L=10                  | 内六角圆柱头螺钉M4×10 | GB/T70.1     | 6  |
| 23   | SM6061002TP  | SCREW M6 L=10                  | 内六角圆柱头螺钉M6×10 | GB/T70.1     | 3  |
| 24   | SM6061802TP  | SCREW M6 L=18                  | 内六角圆柱头螺钉M6×18 | GB/T70.1     | 1  |
| 25   | SM8050502TP  | SCREW M5 L=5                   | 内六角平端紧定螺钉M5×5 | GB/T77       | 3  |
| 26   | SM8060612TP  | SCREW M6 L=6                   | 内六角平端紧定螺钉M6×6 | GB/T77       | 2  |
| 27   | 40004199     | TIMING BELT                    | 同步带           |              | 1  |
| 28   | SM5040550TP  | SCREW M4 L=5                   | 半圆头螺钉         | 05-28-1790   | 4  |
| 29   | 40004266     | ASSY_PBL_GEAR_MODULE           | 组件            |              | 1  |
| 30   | 40005373     | CLAMP MOTOR ASS\Y              | 电机            |              | 1  |
| 31   | 40004273     | PBL_FRONT_LINK                 | 调整连杆          | 05-31-1790   | 1  |
| 32   | 40004291     | PBL_GEAR_S                     | 送布小齿轮         | 05-32-1790   | 1  |
| 33   | 40004275     | PBL_GEAR_SHAFT                 | 尼龙齿轮轴         | 05-33-1790   | 1  |
| 34   | 40004282     | PBL_L-LINK                     | 角尺摆杆          | 05-34-1790   | 1  |
| 35   | 40004270     | PBL_LONG_ROD                   | 送布长连杆         | 05-35-1790   | 1  |
| 36   | 40004278     | PBL_SENSOR_PLATE               | 挡板            | 05-36-1790   | 1  |
| 37   | SM6040602TP  | SCREW M4 L=6                   | 内六角圆柱头螺钉M4×6  | GB/T70.1     | 2  |
| 38   | SM6041002TP  | SCREW M4 L=10                  | 内六角圆柱头螺钉M4×10 | GB/T70.1     | 4  |
| 39   | SM8060552TP  | SCREW M6 L=5                   | 内六角圆柱头螺钉M6×5  | GB/T77       | 4  |
| 40   | SD0800326TP  | SHOULDER SCREW D8 H3.2         | 铰链螺钉          | 05-40-1790   | 3  |
| 41   | 40004289     | ASSY_PBL_GEAR_L                | 尼龙镶嵌齿轮        | 05-41-1790   | 1  |
| 41.1 |              |                                | 尼龙齿轮基体        | 05-41.1-1790 | 1  |
| 42   | 40004267     | ASSY_PBL_MOTOR_BASE            | 送布电机支架组件      | 05-42-1790   | 1  |
| 42.1 |              |                                | 送布电机支架        | 05-42.1-1790 | 1  |
| 42.2 |              |                                | 轴套            | 05-42.2-1790 | 1  |
| 43   | 12259008     | PIN SHORT                      | 肖轴            | 05-43-1790   | 1  |
| 44   | 40005379     | CLAMP SENSOR ASS\Y             | 感应器           |              | 1  |
| 45   | 40019551     | SLIDE_ROLLER                   | 滚轮            | 05-45-1790   | 1  |
| 46   | 13926308     | COLLAR                         | 弹性轴套          | 05-46-1790   | 1  |
| 47   | 40004281     | PBL_COIL_SPRING                | 压棒调节弹簧        | 借 780-10503  | 1  |
| 48   | 40004285     | PBL_FINGER_GUARD               |               |              |    |
| 49   | 40004276     | PBL_GUIDE                      | 导向板           | 05-49-1790   | 1  |
| 50   | 40004280     | PBL_LIFTING_PLATE              | 导向架           | 05-50-1790   | 1  |
| 51   | 40004279     | PBL_METAL                      | 压棒下套          | 05-51-1790   | 1  |
| 52   | 40004274     | PBL_POSITION_BRACKET           | 压棒定位架         | 05-52-1790   | 1  |
| 53   | 40004271     | PBL_PRESSER_BAR                | 压棒            | 05-53-1790   | 1  |
| 54   | 40004283     | PBL_ROLLER_BASE                | 支架            | 05-54-1790   | 1  |
| 55   | 40004286     | PBL_ROLLER_SHAFT               | 滚花轴           | 05-55-1790   | 1  |
| 56   | 40004277     | PBL_SENSOR_BASE                | 感应器支架         | 05-56-1790   | 1  |
| 57   | 40004272     | PBL_SPRING_REGULATOR           | 压棒调节螺丝        | 05-57-1790   | 1  |
| 58   | 40004287     | PBL_WORK_CLAMP_ARM             | 布料夹           | 05-58-1790   | 1  |
| 59   | 40004288     | PBL_WORK_CLAMP_ARM_SHAFT       | 肖轴            | 05-59-1790   | 1  |
| 60   | SL4031081SC  | SCREW M3 X 10                  | 螺钉 M3X 10     |              |    |
| 61   | SM6040802TP  | SCREW M4X0.7 L=8               | 内六角圆柱头螺钉M4×8  | GB/T70.1     | 1  |
| 62   | SM6041602TP  | SCREW M4X0.7 L=16              | 内六角圆柱头螺钉M4×16 | GB/T70.1     | 1  |
| 63   | SM6050800SP  | SCREW M5 L=8                   | 内六角圆柱头螺钉M5×8  | GB/T70.1     | 2  |
| 64   | SM6051002TP  | SCREW M5X0.8 L=10              | 内六角圆柱头螺钉M5×10 | GB/T70.1     | 2  |
| 65   | SM6051202TP  | SCREW M5X0.8 L=12              | 内六角圆柱头螺钉M5×12 | GB/T70.1     | 4  |
| 66   | SM8050602TP  | SCREW M5 L=6                   | 内六角平端紧定螺钉M5×5 | GB/T77       | 2  |
| 67   | 40020310     | UTT_CLOSE_CAM_B                | 开剪控制板         | 05-67-1790   | 1  |
| 68   | SD0800326TP  | SHOULDER SCREW D8 H3.2         | 螺钉 M5×8       | GB/T65       | 2  |
| 69   | SM8060552TP  | SCREW M6 L=5                   | 内六角圆柱头螺钉M6×5  | GB/T77       | 1  |
| 70   | D1511772KAO  | WORK_CLAMP_CHECK HOLDER        |               |              | 1  |
| 71   | B1511772000A | WORK_CLAMP_CHECK HOLDER        |               |              | 1  |
| 72   | B1509761000  | WORK_CLAMP_CHECK SPRING        | 压脚板座组件        |              | 2  |
| 73   | B151077100B  | WORK_CLAMP_CHECK SPRING SET PI |               |              | 2  |
| 74   | B1512761000  | WORK_CLAMP_CHECK HOLDER SPRING |               |              | 1  |
| 75   | SS6060210SP  | SCREW 3/32-56 L= 1.9           |               |              | 2  |
| 76   | D1511771KAOA | WORK_CLAMP_CHECK HOLDER ASM.   |               |              | 1  |
| 77   | B1511771000B | PRESSER FOOT                   |               |              | 1  |
| 78   | B1509761000  | WORK_CLAMP_CHECK SPRING        | 压脚板座组件        |              | 2  |
| 79   | B151077100B  | WORK_CLAMP_CHECK SPRING SET PI |               |              | 2  |
| 80   | B1512761000  | WORK_CLAMP_CHECK HOLDER SPRING |               |              | 1  |
| 81   | SS6060210SP  | SCREW 3/32-56 L= 1.9           |               |              | 2  |
| 82   | B1552781000A | PRESSER                        | 压脚板组件         |              | 1  |
| 83   | SD0790203SP  | HINGE SCREW D=7.94 H=2         | 轴位螺钉          |              | 1  |
| 84   | D1508772K00  | WORK_CLAMP_CHECK (2K)          | 压脚板组件         |              | 1  |
| 85   | SM8050502TP  | SCREW M5 L=5                   | 内六角圆柱头螺钉M4×4  | GB/T77       | 1  |
| 86   | 40004195     | SENSOR_PLATE                   | 感应器支架         | 05-86-1790   | 1  |
| 87   | SB307000200  | BEARING                        | 滚针轴承          | 7×10×9.6     | 2  |
| 88   | SB408000100  | BEARING                        | 平面轴承          | 06-013-210   | 1  |

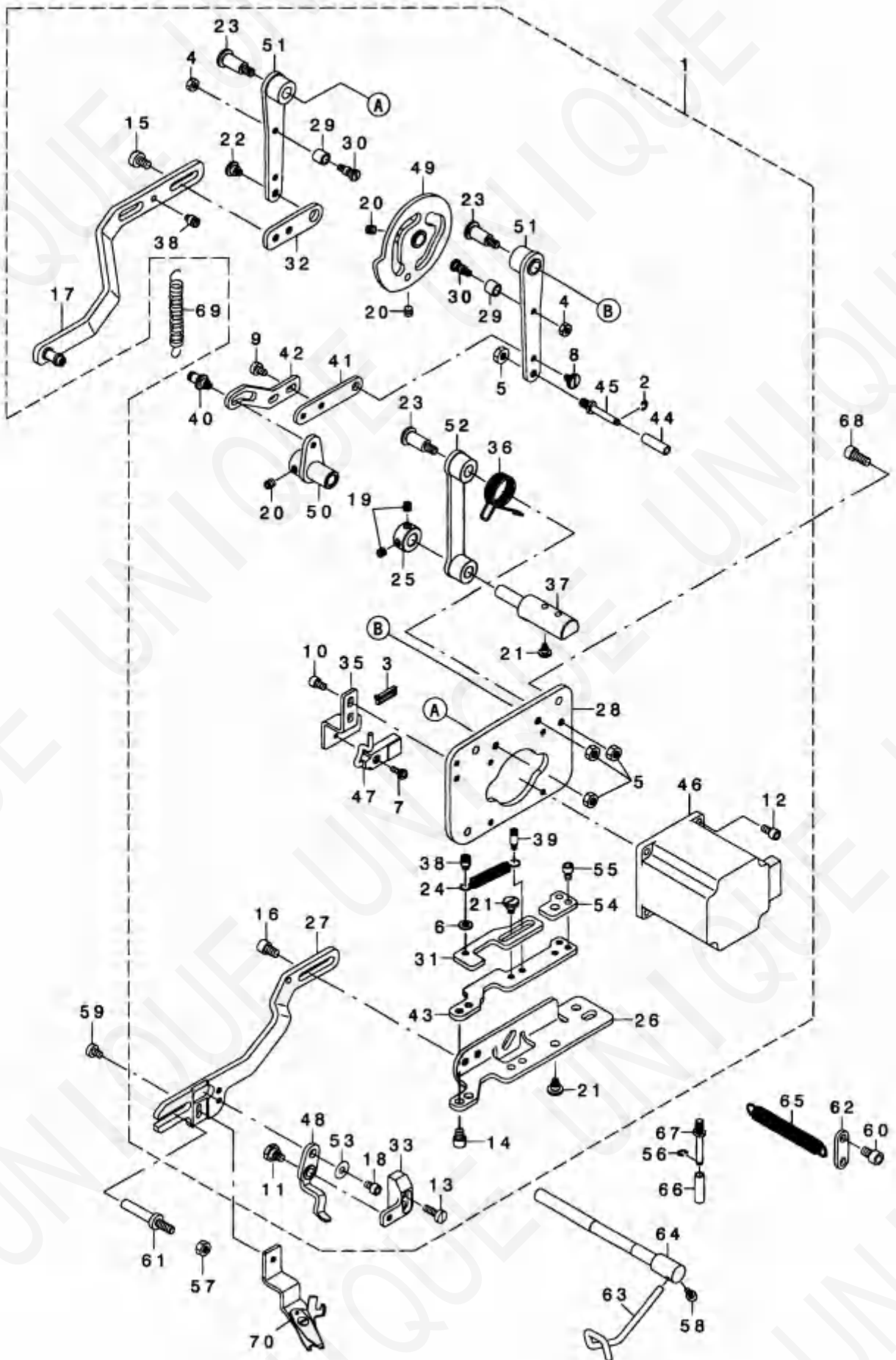
## 6. 针杆摆轴部件



## 6. 针杆摆轴部件

| 序号   | Number      | Description                    | 名称            | 件号           | 数量 |
|------|-------------|--------------------------------|---------------|--------------|----|
| 1    | 40004223    | ZIGZAG DRIVE FULL ASSY         | 组件            |              |    |
| 2    | 40004378    | ZIGZAG ROD ASM.                | 针摆连杆组件        | 06-02-1790   | 1  |
| 3    | 40004379    | ZIGZAG ROD                     | 针摆连杆          | 06-03-1790   | 1  |
| 4    | 23530405    | SHAFT HOLDER LINK BUSH         | 连杆铜套          | 06-04-1790   | 2  |
| 5    | 23544109    | JUNCTION SHAFT A               | 铰链销           | 06-05-1790   | 2  |
| 9    | SL4031081SC | SCREW M3 X 10                  | 螺钉 M3×10      |              | 1  |
| 10   | SM6041002TP | SCREW M4 L=10                  | 内六角圆柱头螺钉M4×10 | GB/T70.1     | 2  |
| 11   | SM4051655SP | SCREW M5 L=16                  | 内六角圆柱头螺钉M5×14 | GB/T70.1     | 1  |
| 12   | SM6061802TP | SCREW M6 L=18                  | 内六角圆柱头螺钉M6×18 | GB/T70.1     | 1  |
| 13   | SM8050502TP | SCREW M5 L=5                   | 内六角圆柱头螺钉M5×5  | GB/T77       | 4  |
| 14   | 40004376    | SENSOR PLATE                   | 感应器支架         | 06-14-1790   | 1  |
| 15   | 40005377    | NEEDLE SWING SENSOR ASSY       | 感应器           |              | 1  |
| 16   | 40004380    | ZIGZAG LEVER REAR              | 摆轴连杆          | 06-16-1790   | 1  |
| 17   | 40004375    | MOTOR BASE                     | 电机底座          | 06-17-1790   | 1  |
| 18   | 40004377    | MOTOR LEVER                    | 针摆电机轴接        | 06-18-1790   | 1  |
| 19   | 40005371    | NEEDLE SWING MOTOR ASS\ 'Y     | 电机            |              | 1  |
| 20   | SM6061002TP | SCREW M6 L=10                  | 内六角圆柱头螺钉M6×10 | GB/T70.1     | 3  |
| 21   | 40004224    | ZIGZAG LEVER SHAFT ASM.        | 摆轴组件          |              | 1  |
| 22   | NM6050001SP | NUT M5                         | 螺母M5          | GB/T6175     | 1  |
| 23   | 40004373    | ZIGZAG LEVER SHAFT             | 摆动轴           | 06-23-1790   | 1  |
| 24   | 40004374    | ZIGZAG_STUD                    | 肖轴            | 06-24-1790   | 1  |
| 25   | 40004214    | NEEDLE BAR CONNECTION          | 针杆连接杆         | 06-25-1790   | 1  |
| 26   | SM6040750TP | SCREW M4 L=7                   | 开槽圆柱头螺钉M4×7   | GB/T65       | 1  |
| 27   | 40004209    | NEEDLE BAR ROD                 | 铰链            | 06-27-1790   | 1  |
| 28   | B1414232000 | SQUARE BLOCK                   | 针杆滑块          | CF780-10601  | 1  |
| 29   | 40004222    | NEEDLE BAR FRAME ASSY          | 组件            |              |    |
| 30   | 40004212    | NEEDLE BAR FRAME               | 针杆摆架          | 06-30-1790   | 1  |
| 31   | 40004213    | NEEDLE BAR METAL               | 针杆衬套          | 06-31-1790   | 2  |
| 32   | 40004221    | SUPPORT SHAFT                  | 铰链销           | 06-32-1790   | 1  |
| 33   | 40004218    | FRAME SUPPORT PLATE ASM.       | 导向架组合图        | 06-33-1790   | 1  |
| 33.1 |             |                                | 基 板           | 06-33.1-1790 | 1  |
| 33.2 |             |                                | 导向架轴          | 06-33.2-1790 | 1  |
| 34   | 40004216    | BUSHING                        | 摆杆前套          | 06-34-1790   | 1  |
| 35   | 40004217    | BUSHING REAR                   | 摆杆后套          | 06-35-1790   | 1  |
| 36   | 40004215    | NEEDLE BAR                     | 针 杆           | 06-36-1790   | 1  |
| 37   | MDP5JOB1100 | NEEDLE DPX5 #11J               | 机针            |              | 1  |
| 38   | 13706403    | NEEDLE BAR BOBBIN THREAD GUIDE | 针杆导线架         | 06-38-1790   | 1  |
| 39   | SM6030500SN | SCREW M3 L=5                   | 开槽圆柱头螺钉M3×5   | GB/T65       | 1  |
| 40   | CS1501181TP | THRUST COLLAR D=15 W=11        |               |              |    |
| 41   | SM8050502TP | SCREW M5 L=5                   |               |              |    |
| 42   | SM8060612TP | SCREW M6 L=6                   | 内六角圆柱头螺钉M6×6  | GB/T77       | 1  |

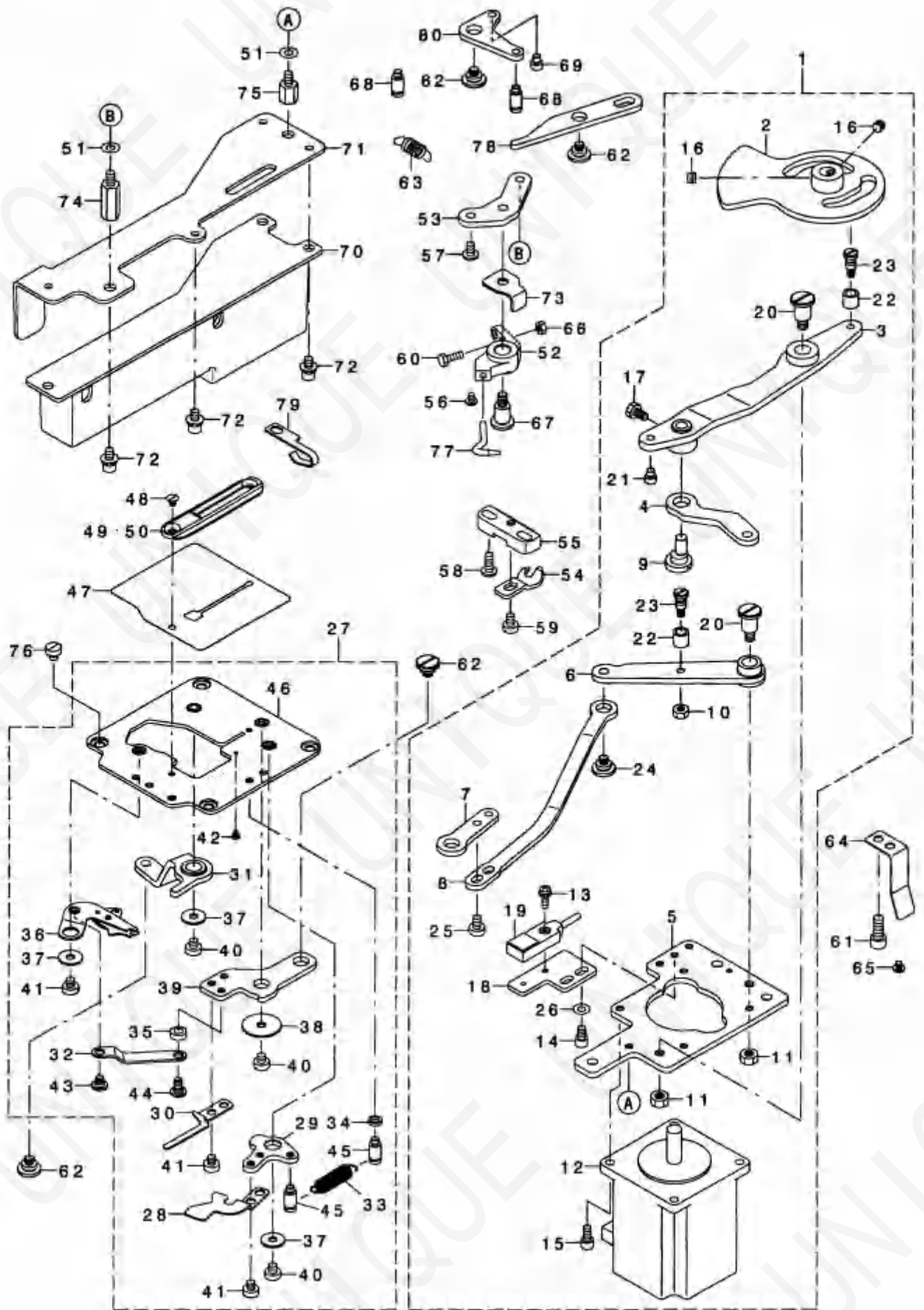
# 7. 剪面线器部件



## 7. 剪面线器部件

| 序号   | Number      | Description                    | 名称            | 件号           | 数量 |
|------|-------------|--------------------------------|---------------|--------------|----|
| 1    | 40029904    | ASSY UTT MODULE B              | 组件            |              | 1  |
| 2    | RE030000K0  | E-RING 3                       | 开口挡圈 3        | GB896-76     | 1  |
| 3    | EA9500B0100 | CABLE BAND                     |               |              |    |
| 4    | NM6040000SN | NUT M4                         | 螺母 M4         | GB/T6170     | 2  |
| 5    | NM6050001SP | NUT M5                         | 螺母 M5         | GB/T6170     | 4  |
| 6    | WP0430801SC | WASHER 4.3X9X0.8               | 平垫圈 4         | GB/T97.1     | 1  |
| 7    | SL4031081SC | SCREW M3 X 10                  | 螺钉 M3×10      | GB/T837      | 1  |
| 8    | SD0600266TP | SHOULDER SCREW D6 H2.6         | 铰链螺钉          | 07-08-1790   | 1  |
| 9    | SM6040600SP | SCREW M4 L=6                   | 开槽圆柱头螺钉M4×6   | GB/T65       | 2  |
| 10   | SM6040602TP | SCREW M4 L=6                   | 内六角圆柱头螺钉M4×6  | GB/T70.1     | 2  |
| 11   | SM6040860TP | SCREW M4 L=8                   | 铰链螺钉          | 07-11-1790   | 1  |
| 12   | SM6040802TP | SCREW M4X0.7 L=8               | 内六角圆柱头螺钉M4×8  | GB/T70.1     | 4  |
| 13   | SM6041200SP | SCREW M4 L=12                  | 开槽圆柱头螺钉M4×12  | GB/T65       | 2  |
| 14   | SM6050652TP | HEXAGON SOCKET HEAD SCREW M5X6 | 内六角圆柱头螺钉M5×6  | GB/T70.1     | 2  |
| 15   | SM6050800SP | SCREW M5 L=8                   | 开槽圆柱头螺钉M5×8   | GB/T65       | 2  |
| 16   | SM6050802TP | SCREW M5X0.8 L=8               | 内六角圆柱头螺钉M5×8  | GB/T70.1     | 2  |
| 17   | 40004400    | ASSY UTT RELEASE ARM B         | 长曲柄组件         | 07-17-1790   | 1  |
| 17.1 |             |                                | 长曲柄           | 07-17.1-1790 | 1  |
| 17.2 |             |                                | 连接套           | 07-17.2-1790 | 1  |
| 18   | SM6040602TP | SCREW M4 L=6                   | 内六角圆柱头螺钉M4×6  | GB/T70.1     | 1  |
| 19   | SM8050412TP | SCREW M5 L=4                   | 内六角平端紧定螺钉M5×5 | GB/T77       | 2  |
| 20   | SM8050502TP | SCREW M5 L=5                   | 内六角平端紧定螺钉M5×5 | GB/T77       | 4  |
| 21   | SD0600326TP | SHOULDER SCREW D6 H3.2         | 铰链螺钉          | 07-21-1790   | 4  |
| 22   | SD0800406TP | SHOULDER SCREW D8 H4           | 铰链螺钉          | 07-22-1790   | 1  |
| 23   | SD0801506TP | SHOULDER SCREW D8 H15          | 铰链螺钉          | 07-23-1790   | 3  |
| 24   | 11272507    | SPRING                         | 拉簧            | 07-24-1790   | 1  |
| 25   | CS0800971TP | THRUST COLLAR D=8 W=9          | 挡圈            | 07-25-1790   | 1  |
| 26   | 40004235    | UTT_ARM_A                      | 连接架           | 07-26-1790   | 1  |
| 27   | 40004238    | UTT_ARM_B                      | 剪刀支架          | 07-27-1790   | 1  |
| 28   | 40004293    | UTT_BASE_PLATE                 | 电机连接板         | 07-28-1790   | 1  |
| 29   | 40004254    | UTT_CAM_ROLLER                 | 滚子            | 07-29-1790   | 2  |
| 30   | 40004253    | UTT_CAM_ROLLER_SHAFT           | 铰链螺钉          | 07-30-1790   | 2  |
| 31   | 40015702    | UTT_RATCH_PLATE_B              | 滑板            | 07-31-1790   | 1  |
| 32   | 40004294    | UTT_RELEASE_ARM_A              | 连杆            | 07-32-1790   | 1  |
| 33   | 40004264    | UTT_RELEASE_LEVER_BASE         | 支座            | 07-33-1790   | 1  |
| 35   | 40004292    | UTT_SENSOR_BASE                | 感应器支架         | 07-35-1790   | 1  |
| 36   | 40004296    | UTT_SUPPORT_ARM_SPRING         | 板簧            | 07-36-1790   | 1  |
| 37   | 40004234    | UTT_SUPPORT_SHAFT              | 轴头            | 07-37-1790   | 1  |
| 38   | 40004248    | UTT_SUSPENSION_SCREW_4         | 弹簧挂钉          | 07-38-1790   | 1  |
| 39   | 40004252    | UTT_SUSPENSION_SCREW_9         | 长挂钉           | 07-39-1790   | 1  |
| 40   | 40004247    | UTT_SUSPENSION_SHOULDER_SCREW  | 弹簧挂钉          | 07-40-1790   | 1  |
| 41   | 40004244    | UTT_THREAD_PULLING_LINK_A      | 接杆            | 07-41-1790   | 1  |
| 42   | 40004245    | UTT_THREAD_PULLING_LINK_B      | 可调接杆          | 07-42-1790   | 1  |
| 43   | 40004236    | UTT_X-CAM                      | 桥板            | 07-43-1790   | 1  |
| 44   | 40004297    | UTT_Y-DRIVE_ROLLER             | 长滚子           | 07-44-1790   | 1  |
| 45   | 40004298    | UTT_Y-DRIVE_SHAFT              | 滚子柱钉          | 07-45-1790   | 1  |
| 46   | 40005374    | UT_TRIM_MOTOR_ASS\Y            | 电机            |              | 1  |
| 47   | 40005380    | UT_TRIM_SENSOR_ASS\Y           | 感应器           |              | 1  |
| 48   | 40028634    | ASSY_UTT_RELEASE_LEVER_B       | 拨杆组件          | 07-48-1790   | 1  |
| 48.1 |             |                                | 拨杆            | 07-48.1-1790 | 1  |
| 48.2 |             |                                | 轴套            | 07-48.2-1790 | 1  |
| 49   | 40004229    | ASSY_UTT_CAM                   | 针线整理凸轮组件      | 07-49-1790   | 1  |
| 49.1 |             |                                | 曲线槽板          | 07-49.1-1790 | 1  |
| 49.2 |             |                                | 轴套            | 07-49.2-1790 | 1  |
| 50   | 40004240    | ASSY_UTT_THREAD_PULLING_ARM    | 摆杆组件          | 07-50-1790   | 1  |
|      |             |                                | 接套            | 07-50.1-1790 | 1  |
|      |             |                                | 连杆            | 07-50.2-1790 | 1  |
| 51   | 40004226    | ASSY_UTT_CAM_ARM               | 滚子连杆组件        | 07-51-1790   | 1  |
| 51.1 |             |                                | 连杆            | 07-51.1-1790 | 2  |
| 51.2 |             |                                | 轴套            | 07-51.2-1790 | 2  |
| 52   | 40004232    | ASSY_UTT_SUPPORT_ARM           | 连杆组件          | 07-52-1790   | 1  |
| 52.1 |             |                                | 连杆            | 07-52.1-1790 | 1  |
| 52.2 |             |                                | 轴套            | 07-52.2-1790 | 2  |
| 53   | WP0431005SP | PLAIN WASHER 4.3X12X1          | 垫圈 4          | GB/T97.1     | 1  |
| 54   | 40015674    | UTT_RATCH_STOPPER              |               |              |    |
| 55   | SM6040602TP | SCREW M4 L=6                   |               |              |    |
| 56   | RE030000K0  | E-RING 3                       | 开口挡圈 3        | GB896-76     | 1  |
| 57   | NM6050001SP | NUT M5                         | 螺母 M5         | GB/T6170     | 1  |
| 58   | SM6040602TP | SCREW M4 L=6                   | 内六角圆柱头螺钉M4×6  | GB/T70.1     | 1  |
| 59   | SM6040600SP | SCREW M4 L=6                   | 开槽圆柱头螺钉M4×6   | GB/T65       | 1  |
| 60   | SM6050802TP | SCREW M5X0.8 L=8               | 内六角圆柱头螺钉M5×8  | GB/T70.1     | 1  |
| 61   | 40028636    | UTT_GUIDE_SHAFT_B              | 撑杆            | 07-61-1790   | 1  |
| 62   | 40004249    | UTT_SUSPENSION_PLATE           | 小连杆           | 07-62-1790   | 1  |
| 63   | 40004243    | UTT_THREAD_PULLING_LEVER       | 护线架           | 07-63-1790   | 1  |
| 64   | 40004246    | UTT_THREAD_PULLING_SHAFT       | 支持轴           | 07-64-1790   | 1  |
| 65   | 40004250    | UTT_TRIMMER_CLOSE_SPRING       | 拉簧            | 07-65-1790   | 1  |
| 66   | 40004297    | UTT_Y-DRIVE_ROLLER             | 滚柱            | 07-66-1790   | 1  |
| 67   | 40004298    | UTT_Y-DRIVE_SHAFT              | 螺柱            | 07-67-1790   | 1  |
| 68   | SM6051202TP | SCREW M5X0.8 L=12              | 内六角圆柱头螺钉M5×12 | GB/T70.1     | 3  |
| 69   | MAZ16013000 | BUTTON_SUPPORT_LEVER_SPRING    | 拉簧            | 07-69-1790   | 1  |
| 70   | 40004255    | ASSY_UTT_TRIMMER               | 面线剪刀组件        | 07-70-1790   | 1  |

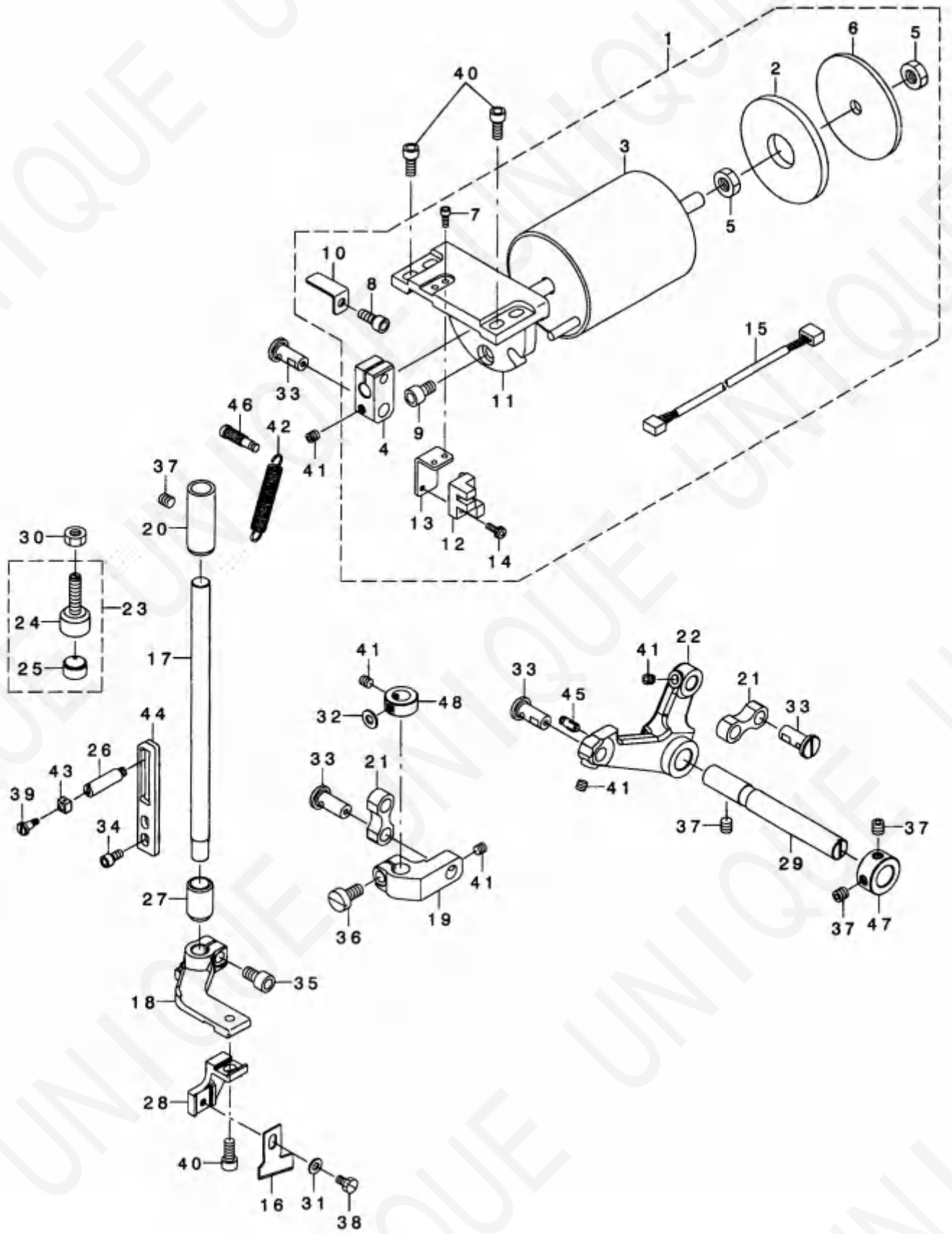
# 8. 剪底线器部件



## 8. 剪底线器部件

| 序号   | Number      | Description                   | 名称               | 件号             | 数量 |
|------|-------------|-------------------------------|------------------|----------------|----|
| 1    | 40004330    | BTT_DRIVE_UNIT                | 组件               |                | 1  |
| 2    | 40004332    | ASSY_BTT_DRIVE_CAM            | 组件               |                | 1  |
| 2.1  |             |                               | 剪线凸轮板            | 08-02.1-1790   | 1  |
| 2.2  |             |                               | 轴套               | 08-02.2-1790   | 1  |
| 3    | 40004336    | ASSY_BTT_DRIVE_LEVER          | 切刀摆杆组件(闭合)       | 08-03-1790     | 1  |
| 3.1  |             |                               | 切刀摆杆             | 08-03.1-1790   | 1  |
| 3.2  |             |                               | 轴套               | 08-03.2-1790   | 1  |
| 3.3  |             |                               | 轴套               | 08-03.3-1790   | 1  |
| 4    | 40004329    | BTT_DRIVE_LINK                | 切刀连杆             | 08-04-1790     | 1  |
| 5    | 40004331    | BTT_DRIVE_UNIT_BASE           | 剪线电机座板           | 08-05-1790     | 1  |
| 6    | 40004340    | ASSY_BTT_RELEASE_LEVER        | 切刀摆杆组件(开)        | 08-06-1790     | 1  |
| 6.1  |             |                               | 切刀摆杆(开)          | 08-06.1-1790   | 1  |
| 6.2  |             |                               | 轴套               | 08-06.2-1790   | 1  |
| 7    | 40004343    | BTT_RELEASE_LINK_F            | 接杆               | 08-07-1790     | 1  |
| 8    | 40004344    | BTT_RELEASE_LINK_R            | 切刀长连杆            | 08-08-1790     | 1  |
| 9    | 13737408    | LINK_ROD                      | 偏心轴              | 08-09-1790     | 1  |
| 10   | NM6040001SD | NUT_M4                        | 螺母 M4            | GB/T6170       | 1  |
| 11   | NM6050001SP | NUT_M5                        | 螺母 M5            | GB/T6170       | 2  |
| 12   | 40005375    | LT_TRIM_MOTOR_ASSY_Y          | 电机               |                | 1  |
| 13   | SL4031081SC | SCREW_M3_X_10                 | 螺钉 M3×10         | GB/T837        | 1  |
| 14   | SM6040602TP | SCREW_M4_L=6                  | 内六角圆柱头螺钉M4×6     | GB/T70.1       | 2  |
| 15   | SM6040802TP | SCREW_M4X0.7_L=8              | 内六角圆柱头螺钉M4×8     | GB/T70.1       | 4  |
| 16   | SM8050412TP | SCREW_M5_L=4                  | 内六角平端紧定螺钉M5×5    | GB/T77         | 2  |
| 17   | SM9040700SP | HEXAGONAL_BOLT                | 开槽六角螺钉M4×8       | GB/T29.1       | 1  |
| 18   | 40004335    | SENSOR_FITTING_PLATE_BT       | 感应器座板            | 08-18-1790     | 1  |
| 19   | 40005381    | LT_TRIM_SENSOR_ASSY_Y         | 感应器              |                | 1  |
| 19.1 |             |                               | 感应器护套            | 08-19.1-1790   | 1  |
| 20   | SD0801006TP | SHOULDER_SCREW_D8_H10         | 铰链螺钉             | 08-20(67)-1790 | 2  |
| 21   | 40004299    | STOPPER_PIN                   | 座钉               | 08-21(69)-1790 | 1  |
| 22   | 40004254    | UTT_CAM_ROLLER                | 滚子               | 07-29-1790     | 2  |
| 23   | 40004253    | UTT_CAM_ROLLER_SHAFT          | 铰链螺钉             | 借07-30-1790    | 2  |
| 24   | SD0800296TP | SHOULDER_SCREW_D8_H2.9        | 铰链螺钉             | 08-24-1790     | 1  |
| 25   | SM6040600SP | SCREW_M4_L=6                  | 开槽圆柱头螺钉M4×6      | GB/T65         | 2  |
| 26   | WP0430801SC | WASHER_4.3X9X0.8              | 平垫圈 4            | GB/T97.1       | 2  |
| 27   | 40021998    | THROAT_PLATE_BASE_UNIT        | 组件               |                | 1  |
| 28   | 40022323    | BT_CLAMP_B                    | 挡线板              | 08-28-1790     | 1  |
| 29   | 40004309    | BT_CLAMP_LEVER                | 小接板              | 08-29-1790     | 1  |
| 30   | 40022322    | BT_PULLER_B                   | 拨线板              | 08-30-1790     | 1  |
| 31   | 40004321    | ASSY_BT_RELEASE_ARM           | 刀位传动杆组件(开)       | 08-31-1790     | 1  |
| 31.1 |             |                               | 刀位传动杆            | 08-31.1-1790   | 1  |
| 31.2 |             |                               | 轴套               | 08-31.2-1790   | 1  |
| 32   | 40004308    | BT_TRIMMER_LINK               | 刀位传动连杆           | 08-32-1790     | 1  |
| 33   | 40029613    | CLAMP_SPRING                  | 拉簧               | 08-33-1790     | 1  |
| 34   | B1623180000 | WASHER                        |                  |                |    |
| 35   | B3013141HOA | WASHER                        | 厚垫圈              | 08-35-1790     | 1  |
| 36   | 40004311    | BT_TRIMMER                    | 底线剪刀组件           | 08-36-1790     | 1  |
| 37   | WP0431005SP | PLAIN_WASHER_4.3X12X1         | 垫圈               | 08-37-1790     | 3  |
| 38   | WP0451016SP | WASHER_4.5X20X1               | 大垫圈              | 08-38-1790     | 1  |
| 39   | 40004306    | BTT_LEVER                     | 刀位传动杆(闭合)        | 08-39-1790     | 1  |
| 40   | SM6040450TP | SCREW_M4_L=4                  | 半圆头螺钉            | 08-40-1790     | 3  |
| 41   | SM6040450TP | SCREW_M4_L=4                  | 圆柱头螺钉            | 08-41(76)-1790 | 4  |
| 42   | SD0250101SP | HINGE_SCREW                   | 铰链螺钉             | 08-42-1790     | 1  |
| 43   | SD0500166TP | SHOULDER_SCREW_D5_H1.6        | 铰链螺钉             | 08-43-1790     | 1  |
| 44   | SD0500167TP | SHOULDER_SCREW_D5_H1.6        | 铰链螺钉             | 08-44-1790     | 1  |
| 45   | 40004327    | SUSPENSION_SCREW              | 挂钉               | 08-45-1790     | 2  |
| 46   | 40004301    | ASSY_THROAT_PLATE_BASE        | 大针板组件            | 08-46-1790     | 1  |
| 46.1 |             |                               | 大针板              | 08-46.1-1790   | 1  |
| 46.2 |             |                               | 轴头               | 08-46.2-1790   | 2  |
| 46.3 |             |                               | 轴头               | 08-46.3-1790   | 1  |
| 46.4 |             |                               | 轴头               | 08-46.4-1790   | 1  |
| 47   | 40004324    | OIL_SHIELD                    | 针面板              | 08-47-1790     | 1  |
| 48   | SM1030400SP | SCREW_M3_L=4                  | 开槽沉头螺钉 M3×4      | GB/T68         | 2  |
| 49   | 40027553    | THROAT_PLATE(1790S5)          | 小针板              | 08-49-1790     | 1  |
| 51   | WP0430800SC | WASHER_M4                     | 平垫圈 4            | GB/T97.1       | 2  |
| 52   | 40004345    | PICKER_BASE                   | 限位支架             | 08-52-1790     | 1  |
| 53   | 40004347    | PICKER_BASE_FITTING_PLATE     | 连杆               | 08-53-1790     | 1  |
| 54   | 13727102    | STOPPER_A                     | 定位指              | 08-54-1790     | 1  |
| 55   | 13729306    | BOBBIN_CASE_POSITIONING_PLATE | 定位指座             | 08-55-1790     | 1  |
| 56   | SM4030455SN | SCREW_M3_L=4                  | 开槽圆柱头螺钉M3×4      | GB/T65         | 1  |
| 57   | SM6040602TP | SCREW_M4_L=6                  | 内六角圆柱头螺钉M4×6     | GB/T70.1       | 1  |
| 58   | SM4041050TP | SCREW_M4_L=10                 | 开槽圆柱头螺钉M4×10     | GB/T65         | 2  |
| 59   | SM6040600SP | SCREW_M4_L=6                  | 开槽圆柱头螺钉M4×6      | GB/T65         | 1  |
| 60   | SM6041200SP | SCREW_M4_L=12                 | 开槽圆柱头螺钉M4×12     | GB/T65         | 1  |
| 61   | SM6050802TP | SCREW_M5X0.8_L=8              | 内六角圆柱头螺钉M5×10    | GB/T70.1       | 3  |
| 62   | SD0800296TP | SHOULDER_SCREW_D8_H2.9        | 铰链螺钉             | 08-62-1790     | 2  |
| 63   | 40011327    | PICKER_SPRING                 | 拉簧               | 08-63-1790     | 1  |
| 64   | 14516801    | SAFETY_SWITCH_PRESSING_PLATE  | 角尺弹簧片            | 08-64-179      | 1  |
| 65   | SM5030355SE | SCREW                         | 开槽圆柱头螺钉 M3×4     | GB/T65         | 1  |
| 66   | NM6040001SD | NUT_M4                        | 螺母 M4            | GB/T6170       | 1  |
| 67   | SD0801006TP | SHOULDER_SCREW_D8_H10         | 铰链螺钉             | 08-20(67)-1790 | 1  |
| 68   | 40004327    | SUSPENSION_SCREW              | 挂钉               | 08-68-1790     | 2  |
| 69   | 40004299    | STOPPER_PIN                   | 座钉               | 08-21(69)-1790 | 1  |
| 70   | 40004164    | OIL_TANK_ASM.                 | 润滑油盒             | 08-70-1790     | 1  |
| 71   | 40004163    | OIL_TANK_PLATE                | 油盒支架             | 08-71-1790     | 1  |
| 72   | SL6040892TN | SCREW                         | 内六角圆柱头组合螺钉 M4×10 |                | 6  |
| 73   | 40004328    | PICKER_BASE_STOPPER           | 挡板               | 08-73-1790     | 1  |
| 74   | HX00339000C | PARTS                         | 六角柱钉             | 08-74-1790     | 1  |
| 75   | HX00339000O | STUD                          | 六角座钉             | 08-75-1790     | 1  |
| 76   | SM6040450TP | SCREW_M4_L=4                  | 圆柱头螺钉            | 08-41(76)-1790 | 4  |
| 77   | 40004346    | PICKER                        | 定位指              | 08-77-1790     | 1  |
| 78   | 40004348    | PICKER_ACTUATING_LEVER        | 指形板              | 08-78-1790     | 1  |
| 79   | 26230409    | LUBRICATING_OIL_WICK_STOPPER  | 电线夹              |                | 1  |
| 80   | 40004349    | PICKER_ACTUATING_L_LINK       | 摆杆               | 08-80-1790     | 1  |

# 9. 刀杆部件

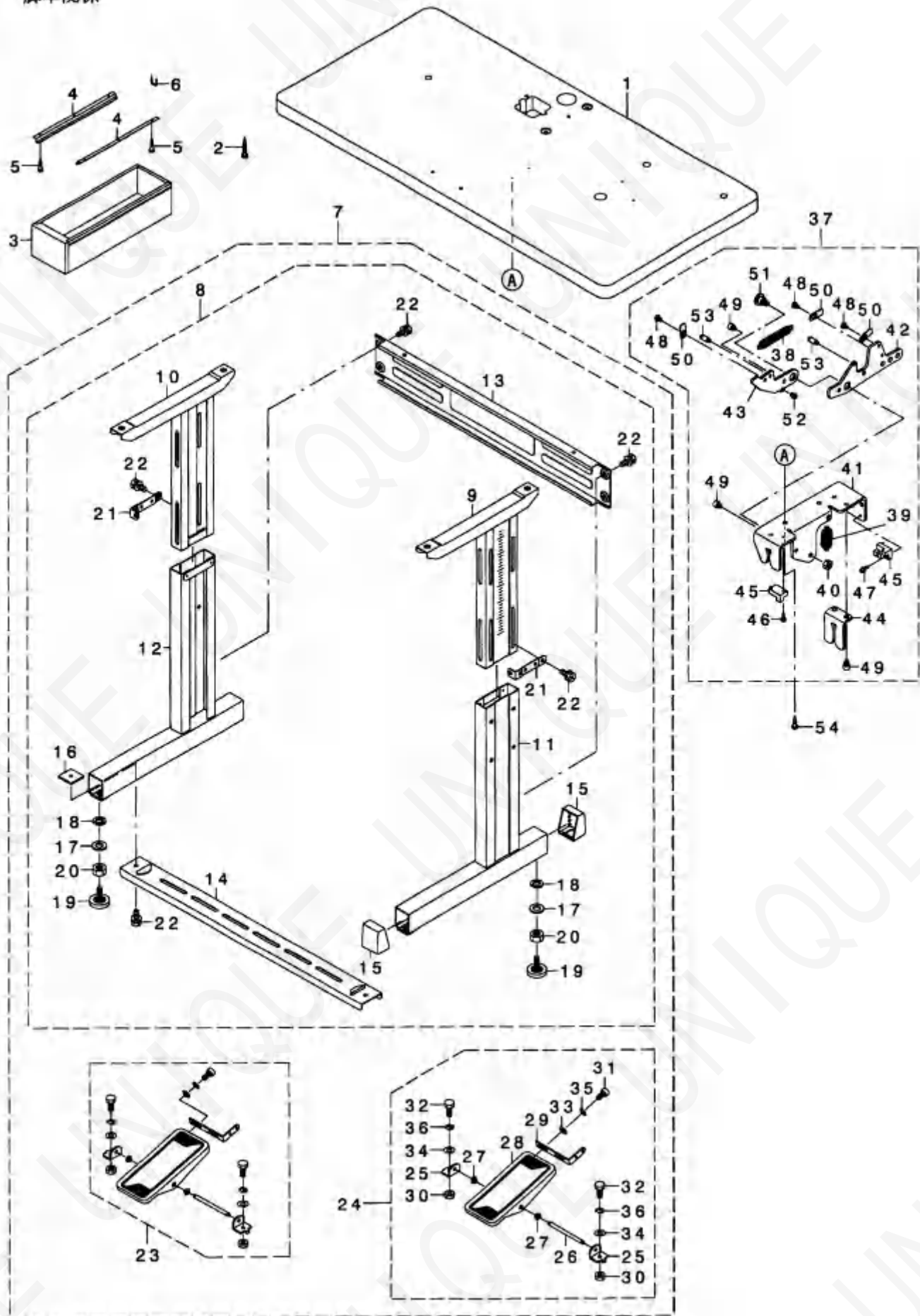


## 9. 切刀部件

| 序号 | Number       | Description                    | 名称                                   | 件号            | 数量 |
|----|--------------|--------------------------------|--------------------------------------|---------------|----|
| 1  | 40004381     | KNIFE SOL ASM.                 | 吸铁组件                                 |               |    |
| 2  | 40004384     | CUSION                         | 缓冲垫                                  | 外购            | 1  |
| 3  | 40004382     | SOLENOID                       | 吸铁                                   | 外购            | 1  |
| 4  | 40009788     | KNIFE HOLDER                   | 连接曲柄                                 | 09-04-1790    | 1  |
| 5  | NM6080003SC  | NUT M8                         | 螺母 M8                                | 外购            | 2  |
| 6  | 40004383     | PLATE A                        | 吸铁板                                  | 外购            | 1  |
| 7  | SM6030802TP  | SCREW M3X0.5 L=8               | 内六角螺钉 M3 L=10                        | GB/T70-1985   | 2  |
| 9  | SM6061002TP  | SCREW M6 L=10                  | 内六角螺钉 M6 L=10                        | GB/T70-1985   | 3  |
| 11 | 40004385     | SOLENOID BASE                  | 吸铁底座                                 | 09-11-1790    | 1  |
| 15 | 40005382     | CUTTER SENSOR JOINT CORD       | 传感器连接线                               | 外购            | 1  |
| 16 | B2702047LOOA | KNIFE 1/2                      | 1/2 切刀                               | 11016-780     | 1  |
| 17 | 40004394     | KNIFE BAR                      | 刀杆                                   | 09-17-1790    | 1  |
| 18 | 40004396     | KNIFE BAR BASE                 | 刀杆连接臂                                | 09-18-1790    | 1  |
| 19 | 40004397     | KNIFE BAR BRACKET              | 十字连接曲柄                               | 09-19-1790    | 1  |
| 20 | 40004398     | KNIFE BAR BUSH                 | 刀杆上套                                 | 09-20-1790    | 1  |
| 21 | 13746508     | KNIFE BAR CONNECTING LINK      | 连接链杆                                 | 09-21-1790    | 2  |
| 22 | 40004390     | KNIFE BAR DRIVING LEVER        | 刀杆连接臂                                | 09-22-1790    | 1  |
| 23 | 40004219     | KNIFE BAR DRIVING STOPPER ASM. | 组件                                   |               |    |
| 24 | 40004391     | KNIFE BAR DRIVING STOP SCREW   | 限位螺钉                                 | 09-24-1790    | 1  |
| 25 | 13750807     | KNIFE DRIVING LEVER STOPPER    | 缓冲垫                                  | 09-25-1790    | 1  |
| 26 | 40004210     | KNIFE BAR SUPPORT SHAFT        | 轴位螺钉                                 | 09-26-1790    | 1  |
| 27 | 40040276     | KNIFE_BAR_LOWER_BUSHING        | 刀杆下套                                 | 09-27-1790    | 1  |
| 28 | 40004393     | KNIFE FITTING BASE             | 固定刀架                                 | 09-28-1790    | 1  |
| 29 | 40004395     | KNIFE LEVER SHAFT              | 刀杆轴                                  | 09-29-1790    | 1  |
| 30 | NM6060002SD  | NUT M6                         | 螺母 M6                                | GB/T6170-1986 | 1  |
| 31 | WP0430801SC  | WASHER 4.3X9X0.8               | 垫圈 $\phi 4 \times \phi 9 \times 0.8$ | GB/T848-1985  | 1  |
| 32 | WP0501016SD  | WASHER 5X10.5X1                | 垫圈 $\phi 5 \times \phi 9 \times 1$   | GB/T848-1985  | 1  |
| 33 | 40004392     | BELL CRANK SHAFT               | 铰链销                                  | 09-33-1790    | 4  |
| 34 | SM6040802TP  | SCREW M4X0.7 L=8               | 内六角螺钉 M4 L=10                        | GB/T70-1985   | 2  |
| 35 | SM6061202TP  | SCREW M6 L=12                  | 内六角螺钉 M6 L=12                        | GB/T70-1985   | 1  |
| 36 | SM6061200SP  | SCREW                          | 圆柱头螺钉M6 L=12                         | GB/T65-1985   | 1  |
| 37 | SM8060612TP  | SCREW M6 L=6                   | 无头内六角螺钉M6 L=6                        | GB/T80-1985   | 4  |
| 38 | SM9040700SP  | HEXAGONAL BOLT                 | 带槽六角螺钉 M4 L=6                        | 09-38-1790    | 1  |
| 39 | SD0400506TP  | SHOULDER SCREW D4 H5           | 轴位螺钉                                 | 09-39-1790    | 1  |
| 40 | SM6051202TP  | SCREW M5X0.8 L=12              | 内六角螺钉 M5 L=12                        | GB/T70-1985   | 2  |
| 41 | SM8050502TP  | SCREW M5 L=5                   | 无头内六角螺钉M5 L=5                        | GB/T80-1985   | 5  |
| 42 | 40004389     | SPRING                         | 拉簧                                   | 09-42-1790    | 1  |
| 43 | 40006315     | SQUARE BLOCK                   | 滑块                                   | 09-43-1790    | 1  |
| 44 | 40004211     | SUPPORT GUIDE                  | 滑块导板                                 | 09-44-1790    | 1  |
| 45 | 13738802     | SUSPENSION SCREW               | 吊弹簧销                                 | 09-45-1790    | 1  |
| 46 | 40004179     | SUSPENSION SCREW               | 吊挂螺钉                                 | 03-54-1790    | 1  |
| 47 | CS1201171TP  | THRUST COLLAR D=12 W=11        | 挡圈 D=12 H=11                         | 09-47-1790    | 1  |
| 48 | 40006313     | COLLAR                         | 挡圈 D=10 H=8                          | 09-48-1790    | 1  |

# 10. TABLE COMPONENTS

脚卓関係

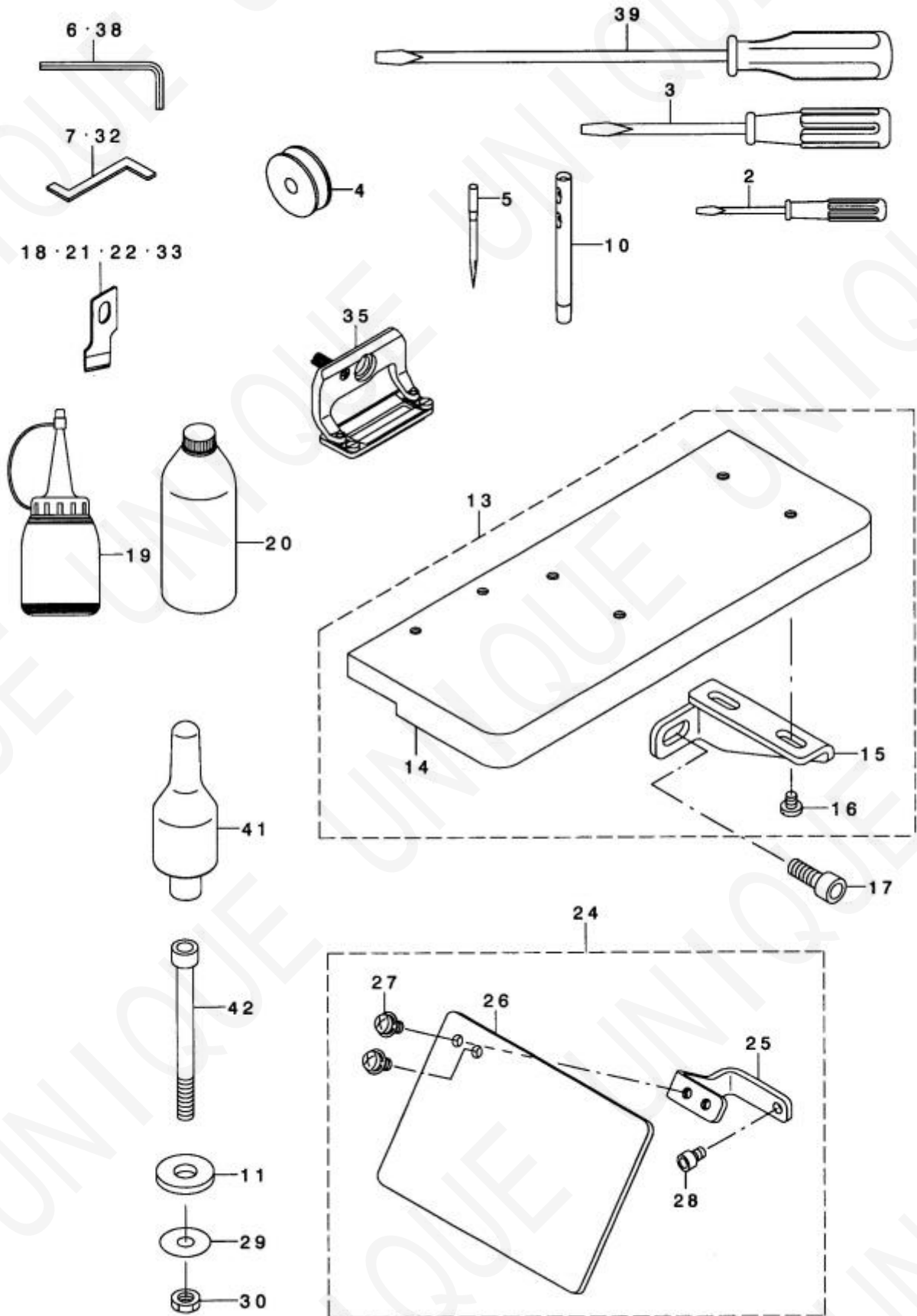


## 10. 台板部件

| 序号 | Number        | Description                    | 名称                | 数量   |
|----|---------------|--------------------------------|-------------------|------|
| 1  | 400-06306     | TABLE                          | 台板                | 1    |
| 2  | ST-9053511-SR | TAPPING SCREW M5X35            | 自攻螺丝 M5*35        | 4    |
| 3  | 111-55108     | DRAWER                         | 抽屉                | 1    |
| 4  | 111-55207     | DRAWER SUPPORT                 | 抽屉固定架             | 2    |
| 5  | SK-3311600-SC | WOOD SCREW D=3.1 L=16          | 木螺钉 M4*16         | 6    |
| 6  | D8204-555-D00 | DRAWER STOPPER                 | 骑马钉               | 1    |
| 7  | B8101-771-OA0 | T-STAND COMPL                  | 机架部分              | 1    |
| 8  | 111-57559     | T-STAND ASM                    | 机架组件              | (1)  |
| 9  | 111-57666     | UPPER STAND ASM. RIGHT         | 右调节架              | (1)  |
| 10 | 111-57765     | UPPER STAND ASM. LEFT          | 左调节架              | (1)  |
| 11 | 111-57963     | LOWER LEG RIGHT                | 机架右支架             | (1)  |
| 12 | 111-58060     | LOWER LEG LEFT                 | 机架左支架             | (1)  |
| 13 | 111-58300     | STAND SIDE SUPPORT             | 面横档               | (1)  |
| 14 | 111-58409     | STAND SIDE SUPPORT             | 底横档               | (1)  |
| 15 | 111-58607     | RUBBER CAP                     | 橡胶保护套             | (4)  |
| 16 | 170-07402     | NUT                            | 方板螺母              | (2)  |
| 17 | WP-1302501-SE | WASHER M12                     | 垫圈 12             | (4)  |
| 18 | WS-1253010-KN | SPRING WASHER 12.5X21.5X3      | 弹簧垫圈              | (4)  |
| 19 | B8108-555-OA0 | ADJUSTING SCREW ASM. WITH CAP  | 机架调节螺钉            | (4)  |
| 20 | NM-6120001-SE | NUT M12                        | 螺母 M12            | (1)  |
| 21 | 111-58516     | UPPER STAND PLATE              | 定位板               | (2)  |
| 22 | SL-9082091-SE | WASHER HEXAGONAL BOLT          | 螺钉                | (12) |
| 23 | 138-17754     | Z-STAND PEDAL ASM              | 脚踏板组件             | (1)  |
| 24 | 138-17754     | Z-STAND PEDAL ASM              | 脚踏板组件             | (1)  |
| 25 | 111-59001     | PEDAL SHAFT BRACKET            | 踏板轴支架             | (2)  |
| 26 | B8153-771-000 | PEDAL CONNECTING ROD           | 踏板联接轴             | (1)  |
| 27 | D8113-555-B00 | PEDAL BUSHING                  | 踏板轴套              | (2)  |
| 28 | GPF-060600A0  | PEDAL ASM                      | 脚踏板               | (1)  |
| 29 | GPF-06080000  | PEDAL ADJUSTING PLATE          | 调节拉板              | (1)  |
| 30 | NM-6080721-SE | NUT M8                         | 螺母 M8             | (2)  |
| 31 | SM-9061203-SE | SCREW M6 L=12                  | 螺钉 M6 L=12        | (2)  |
| 32 | SM-9082023-SE | SCREW M8 L=20                  | 螺钉 M8 L=20        | (2)  |
| 33 | WP-0671016-SE | WASHER 6.7X13X1                | 垫圈 6.7X13X1       | (2)  |
| 34 | WP-0871602-SE | WASHER 8.7X18X1.6              | 垫圈 8.7X18X1.6     | (4)  |
| 35 | WS-0621210-KR | SPRING WASHER 6.2X11.4X1.2     | 弹簧垫圈 6.2X11.4X1.2 | (2)  |
| 36 | WS-0861410-KR | SPRING WASHER 8.6X15X1.4       | 弹簧垫圈 8.6X15X1.4   | (2)  |
| 37 | 400-03491     | ASSY 4 POSITION PEDAL          | 踏脚开关组件            | 1    |
| 38 | 137-31906     | SPRING                         | 弹簧                | (1)  |
| 39 | B2583-210-D00 | SPRING                         | 弹簧                | (1)  |
| 40 | NM-6060001-CP | NUT M6                         | 螺母 M6             | (1)  |
| 41 | 400-04360     | PEDAL FRAME                    | 脚踏开关架             | (1)  |
| 42 | 400-04361     | PEDAL FRAME A                  | 踏板支架A             | (1)  |
| 43 | 400-04362     | PEDAL FRAME B                  | 踏板支架B             | (1)  |
| 44 | 400-04363     | PEDAL FRAME GUIDE              | 踏板支架导板            | (1)  |
| 45 | HD-0005700-OA | PHOTO SENSOR                   | 光电传感器             | (2)  |
| 46 | SL-4031091-SC | SCREW M3 X 10                  | 螺钉 M3X10          | (1)  |
| 47 | SL-6031042-TN | SCREW                          | 螺钉                | (1)  |
| 48 | SM-5040655-SN | SCREW                          | 螺钉                | (3)  |
| 49 | SM-6050652-TP | HEXAGON SOCKET HEAD SCREW M5X6 | 内六角螺钉 M5X6        | (4)  |
| 50 | 400-04364     | SENSOR DETECTING PLATE         | 传感器探测板            | (3)  |
| 51 | SD-1000646-TP | SHOULDER SCREW D10 H6.4        | 轴位螺钉 D=10 H=6.4   | (1)  |
| 52 | 400-04299     | STOPPER PIN                    | 止动销               | (1)  |
| 53 | 400-04327     | SUSPENSION SCREW               | 悬挂螺钉              | (2)  |
| 54 | SK-3482001-SE | WOOD SCREW D=4.8 L=20          | 木螺钉               | 2    |

# 11. ACCESSORIE PART COMPONENTS

付属品関係



## 11. 附件

| 序号 | Number          | Description              | 名称                 | 数量  |
|----|-----------------|--------------------------|--------------------|-----|
| 2  | 229-33204       | SCREW DRIVER SMALL       | 小号螺丝刀              | 1   |
| 3  | 229-33105       | SCREW DRIVER MIDDLE      | 中号螺丝刀              | 1   |
| 4  | 400-09148       | BOBBIN                   | 梭芯                 | 1   |
| 5  | MDP-5JOB1102    | NEEDLE DPX5 #11J-2       | 机针                 | 1   |
| 6  | J1066-000-00D   | HEXAGONAL WRENCH KEY     | 内六角扳手              | 1   |
| 7  | 137-82107       | HOOK TIMING GAUGE K      | 标尺                 | 1   |
|    |                 |                          |                    |     |
| 10 | 225-02504       | THREAD GUIDE BAR         | 导线杆                | 1   |
| 11 | D6056-555-B00   | RUBBER CUSHION (B)       | 橡胶垫                | 4   |
|    |                 |                          |                    |     |
| 13 | 400-08890       | AUXILIARY TABLE ASM      | 辅助台板组件             | 1   |
| 14 | 400-08889       | AUXILIARY TABLE          | 辅助台板               | (1) |
| 15 | 137-85803       | INSTALLING PLATE         | 安装板                | (2) |
| 16 | SS-7110570-SP   | SCREW 11/64-40 L= 4.8    | 螺钉 11/64-40 L= 4.8 | (4) |
| 17 | SM-6061002-TP   | SCREW M6 L=10            | 螺钉 M6 L=10         | 2   |
| 18 | B2702-047-000-A | KNIFE 1                  | 切刀 1               | 1   |
| 19 | J1067-000-000   | OILER                    | 注油瓶                | 1   |
| 20 | MDF-RX1600C0    | DEFRIX OIL NO.1(600CC)   | 油壶                 | 1   |
| 21 | B2702-047-M00-A | KNIFE 5/8                | 切刀 5/8             | 1   |
| 22 | B2702-047L00-A  | KNIFE 1/2                | 切刀 1/2             | 1   |
|    |                 |                          |                    |     |
| 24 | 400-52047       | ASSY SAFETY PLATE B      | 安全板组件              | 1   |
| 25 | 400-49424       | SAFETY PLATE BESE        | 安全板安装架             | (1) |
| 26 | B3120-372-000   | SAFETY PLATE             | 安全板                | (1) |
| 27 | SL-4040891-SC   | SCREW M4 L=8             | 螺钉 M4 L=8          | (2) |
| 28 | SM-6040602-TP   | SCREW M4 L=6             | 螺钉 M4 L=6          | (1) |
| 29 | WP-0612056-SD   | WASHER 6. 1X18. 5X2      | 垫圈 6. 1X18. 5X2    | 4   |
| 30 | NM-6060001-SD   | NUT M6                   | 螺母 M6              | 8   |
|    |                 |                          |                    |     |
| 32 | 139-43402       | TIMING GAUGE DMESTIC USE | 标尺                 | 1   |
| 33 | B2702-047-K00-A | KNIFE 3/8                | 切刀 3/8             | 1   |
|    |                 |                          |                    |     |
| 35 | B1552-782-0A0   | PRESSER FOOT 2 ASM       | 压脚组件               | 1   |
|    |                 |                          |                    |     |
|    |                 |                          |                    |     |
| 38 | GCT-02906000    | HEXAGONAL SPANNER        | 内六角扳手              | 1   |
| 39 | 229-33006       | SCREW DRIVER LARGE       | 大号螺丝刀              | 1   |
|    |                 |                          |                    |     |
| 41 | 141-01208       | HEAD SUPPORT BAR         | 机头支撑               | 1   |
| 42 | SM-6067052-TP   | HEXAGON BOLT             | 螺钉                 | 1   |
|    |                 |                          |                    |     |
|    |                 |                          |                    |     |